

# Labrador Papercraft



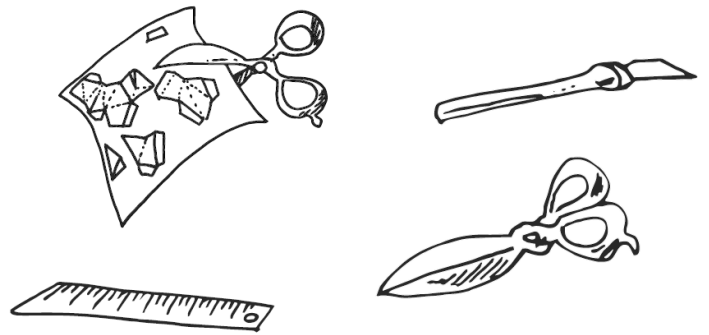
Height 70 cm // Width 64 cm // Depth 45 cm // Made for A4

Creator: Madbydd

## STEP 1 // CUT

Cut out the parts along the solid lines. If there is an inner part, cut that out then move to the exterior.

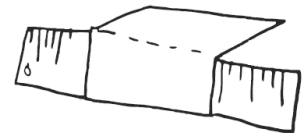
(I find a good way to cut is to hold a ruler to the straight edges and follow the ruler with an Exacto knife.)



## STEP 2 // FOLD

Fold the tabs according to the dots. There are two different types of folds, mountain folds (up) and valley folds (down). Their names describe their outward or inward orientation.

mountain fold

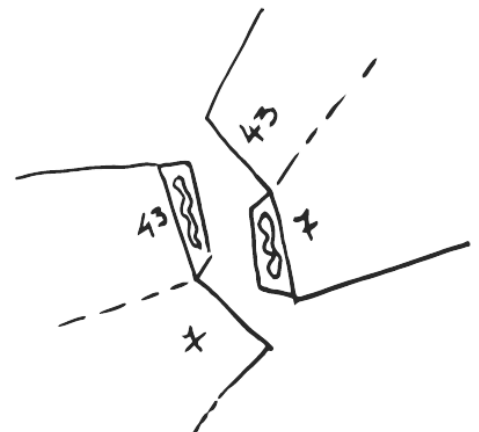


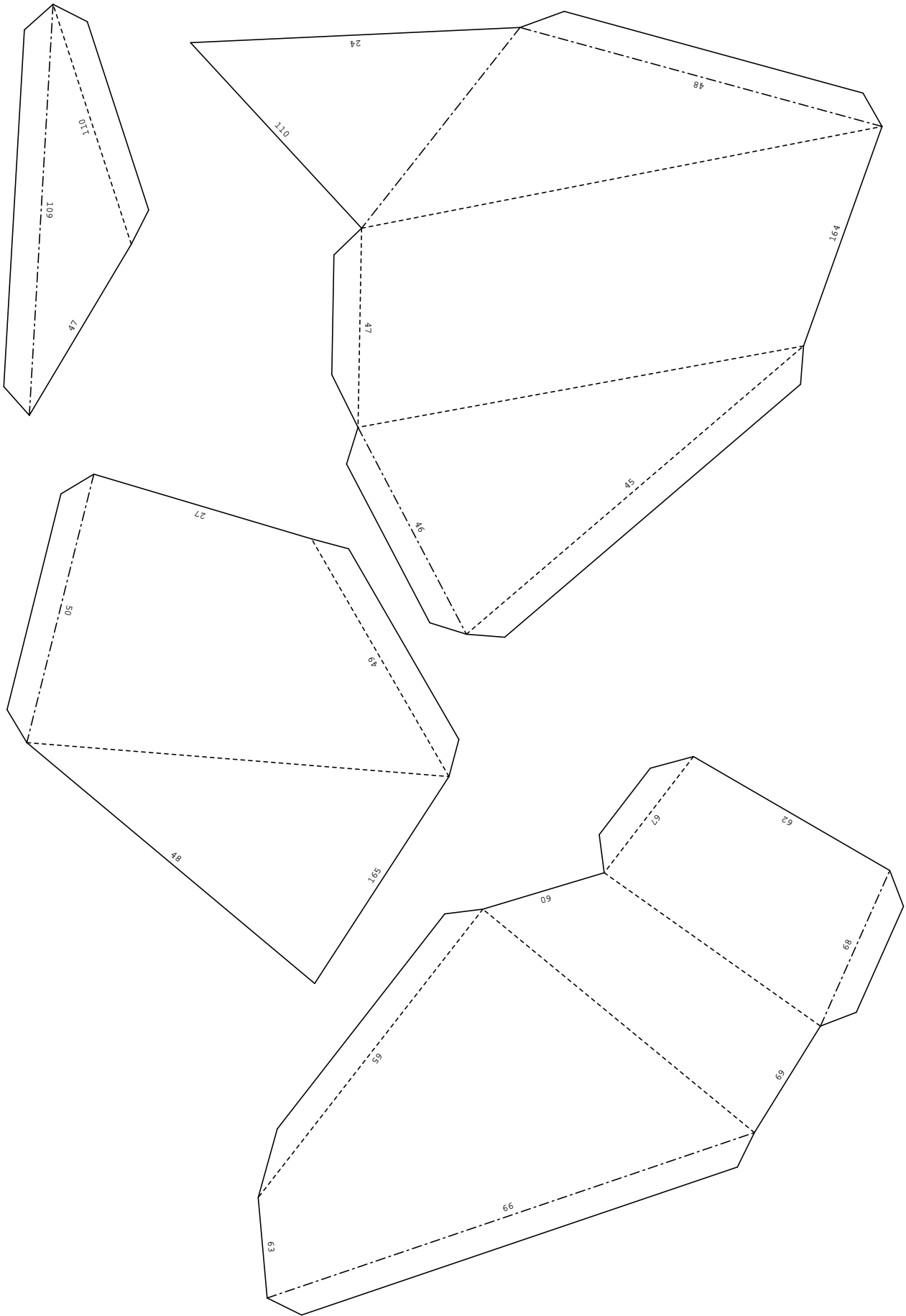
valley fold

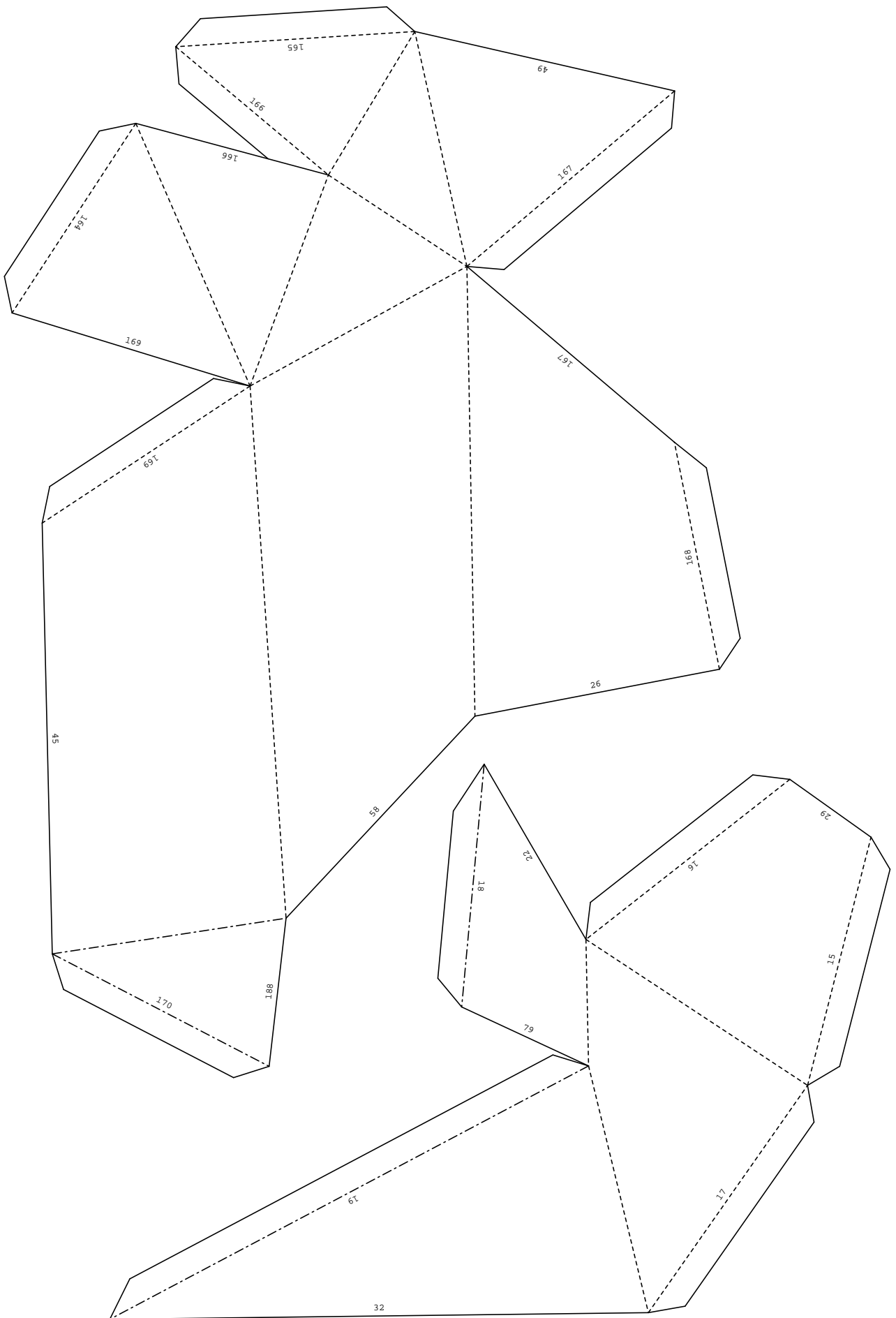


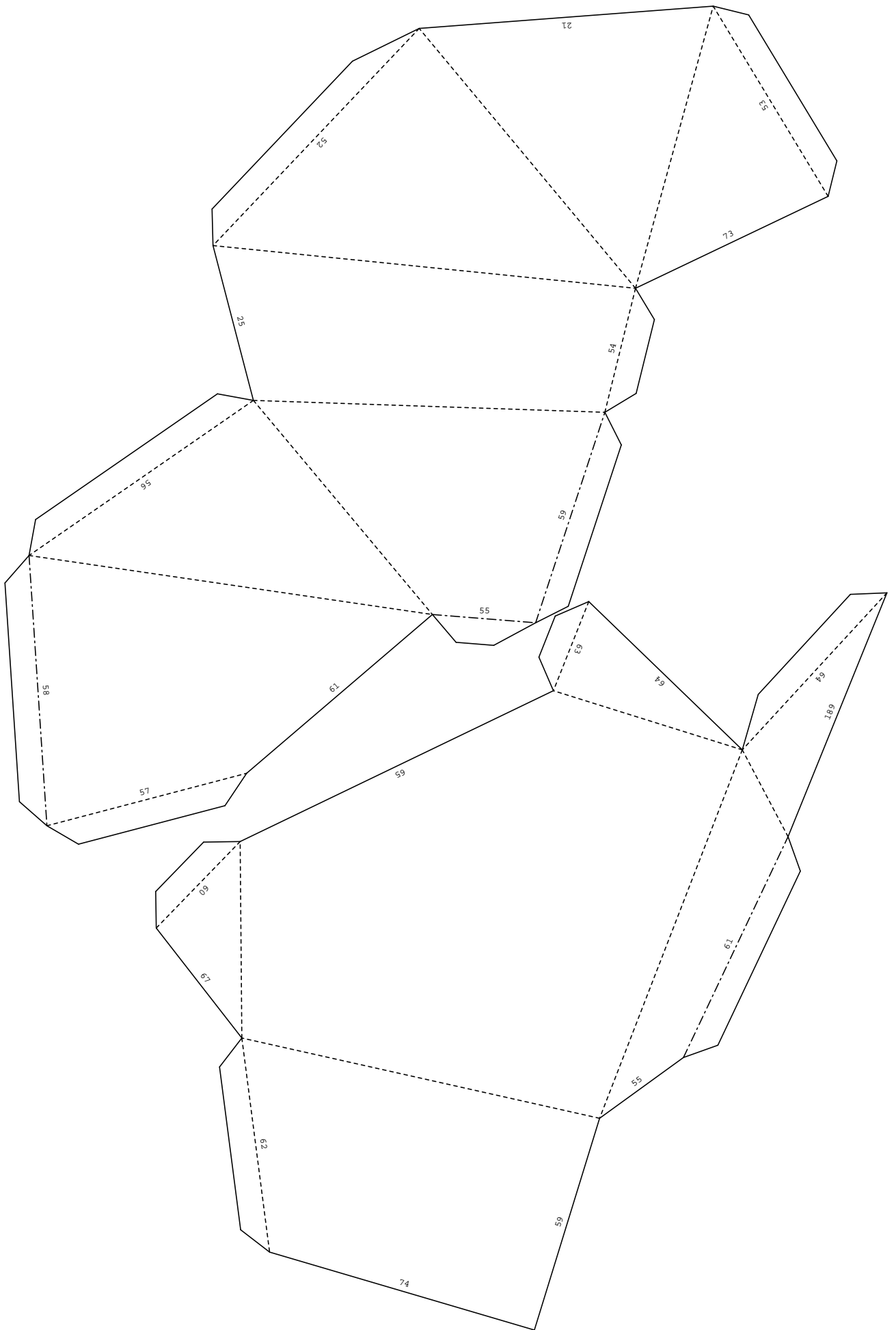
## STEP 3 // GLUE

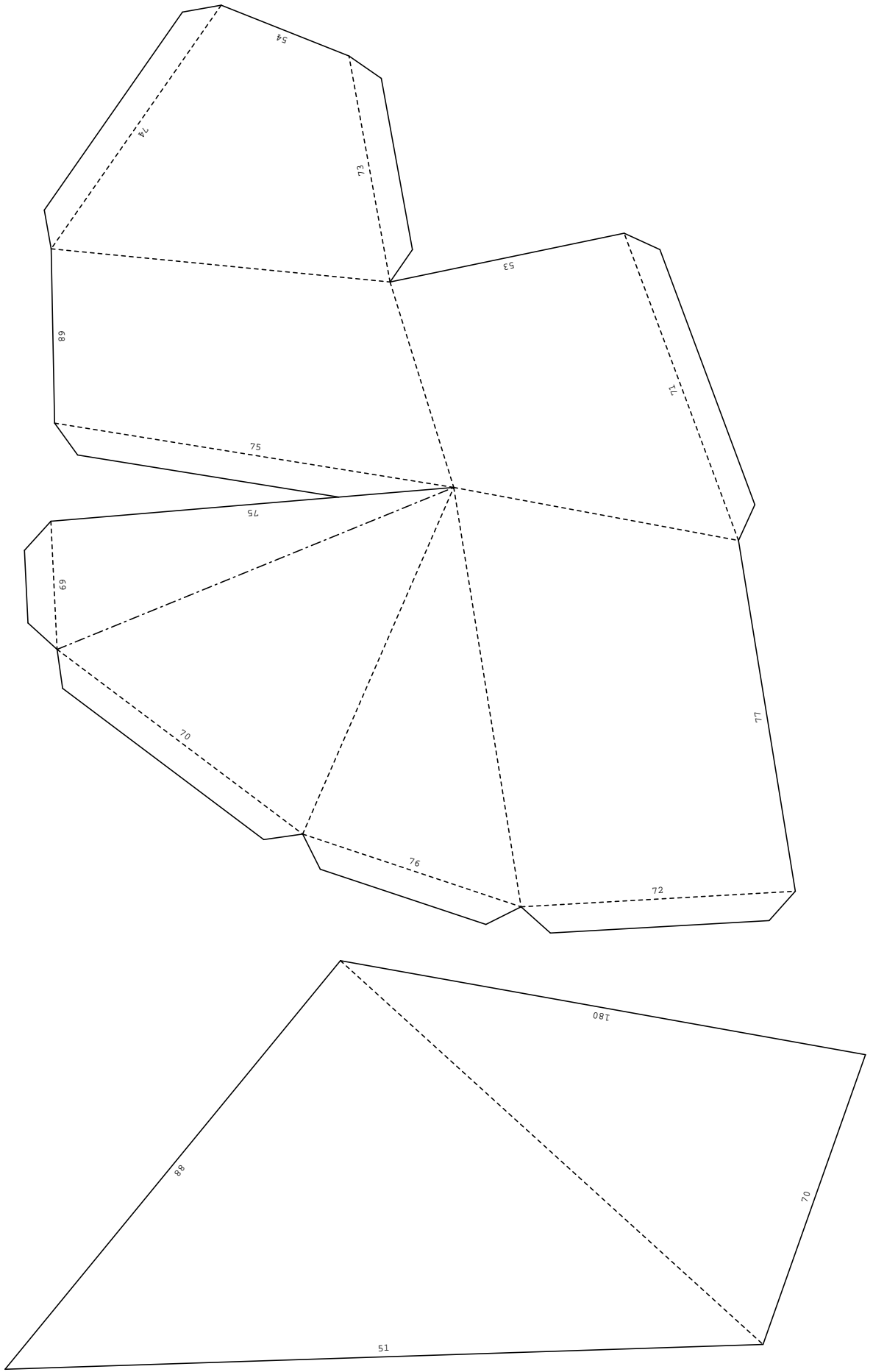
You will now need to glue all the pieces together. To do this, you can use Loctite super glue because it's precise and quick drying, but I prefer to use small pieces of double-sided bonding tape your final product will be perfection!

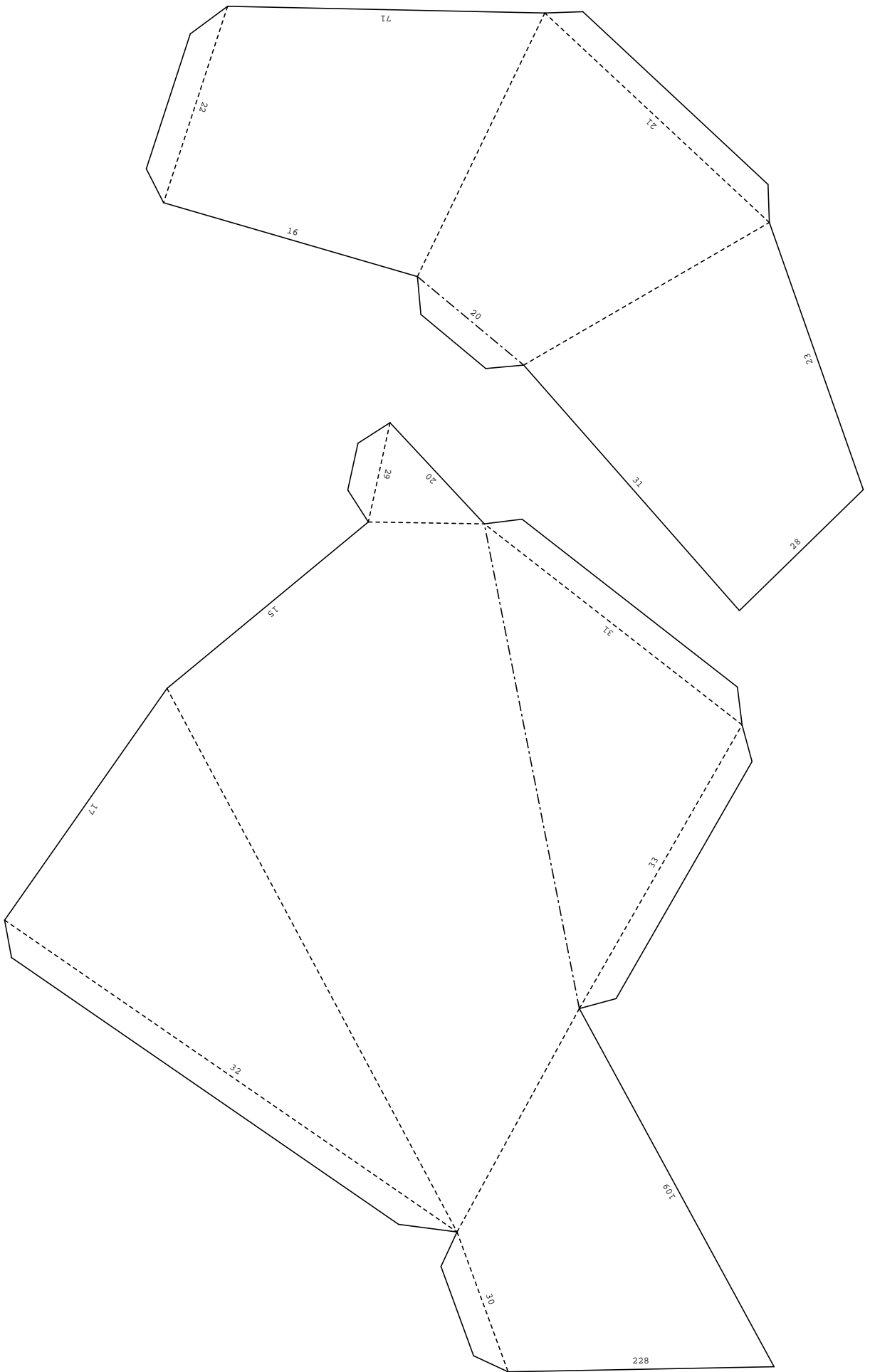


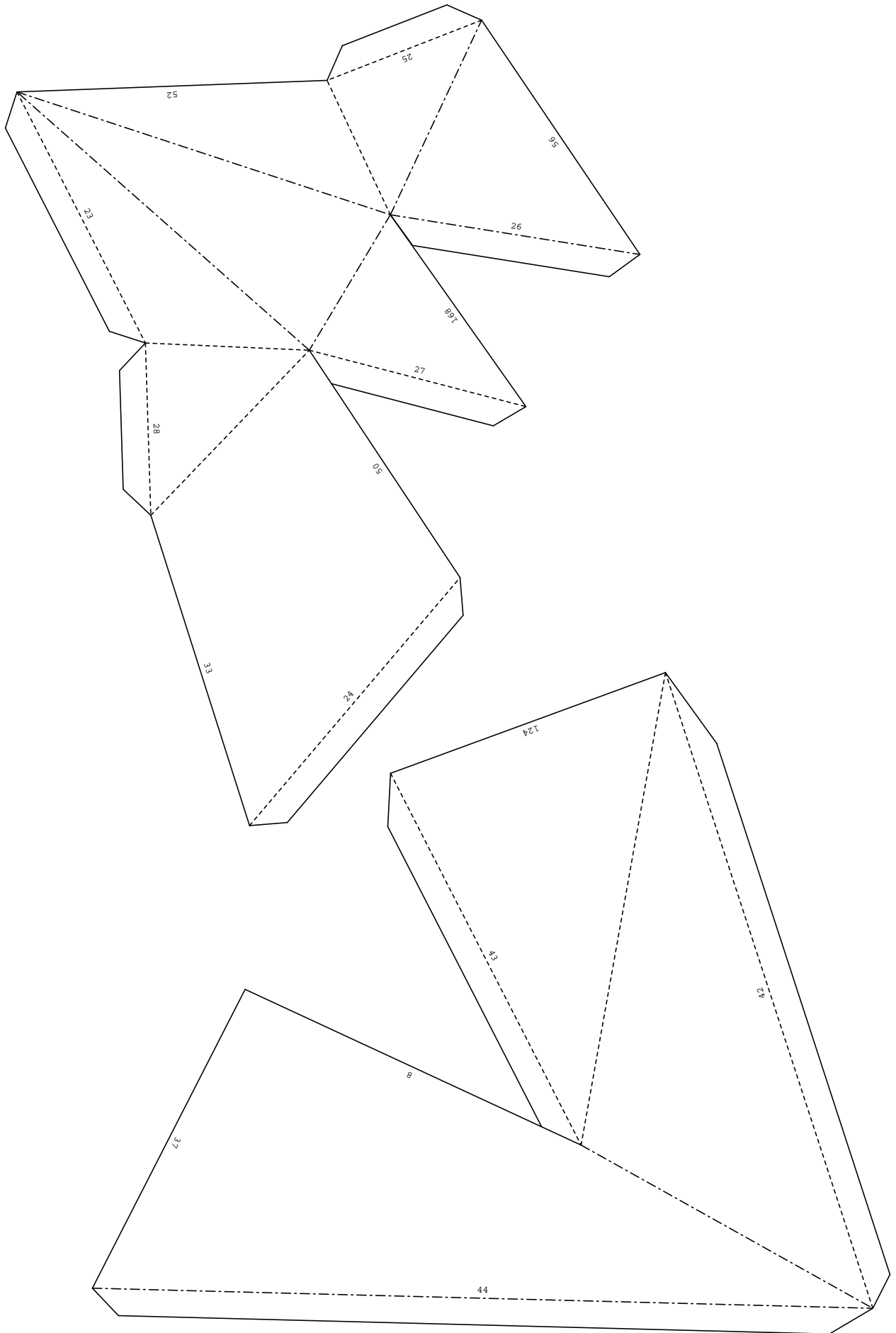




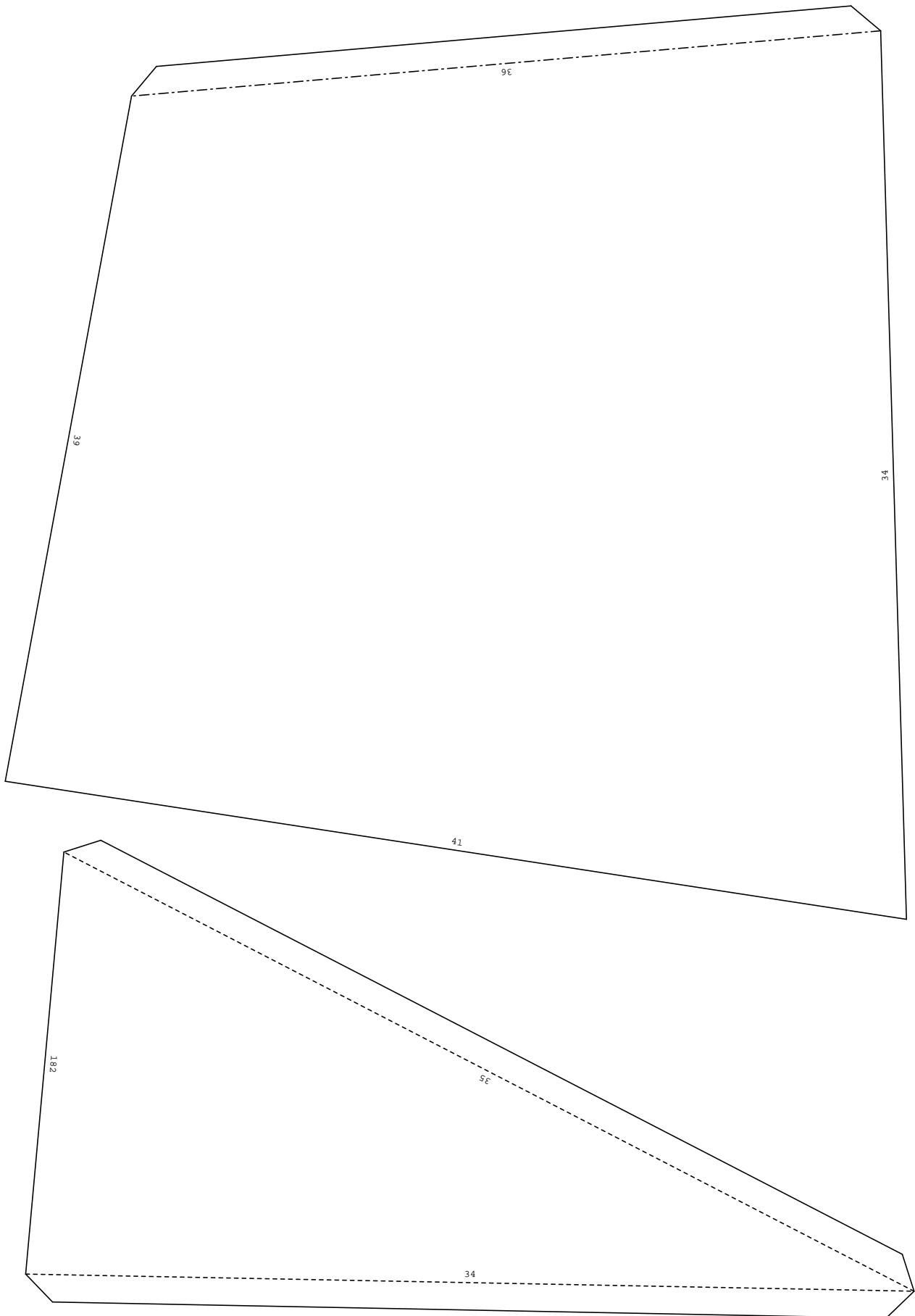


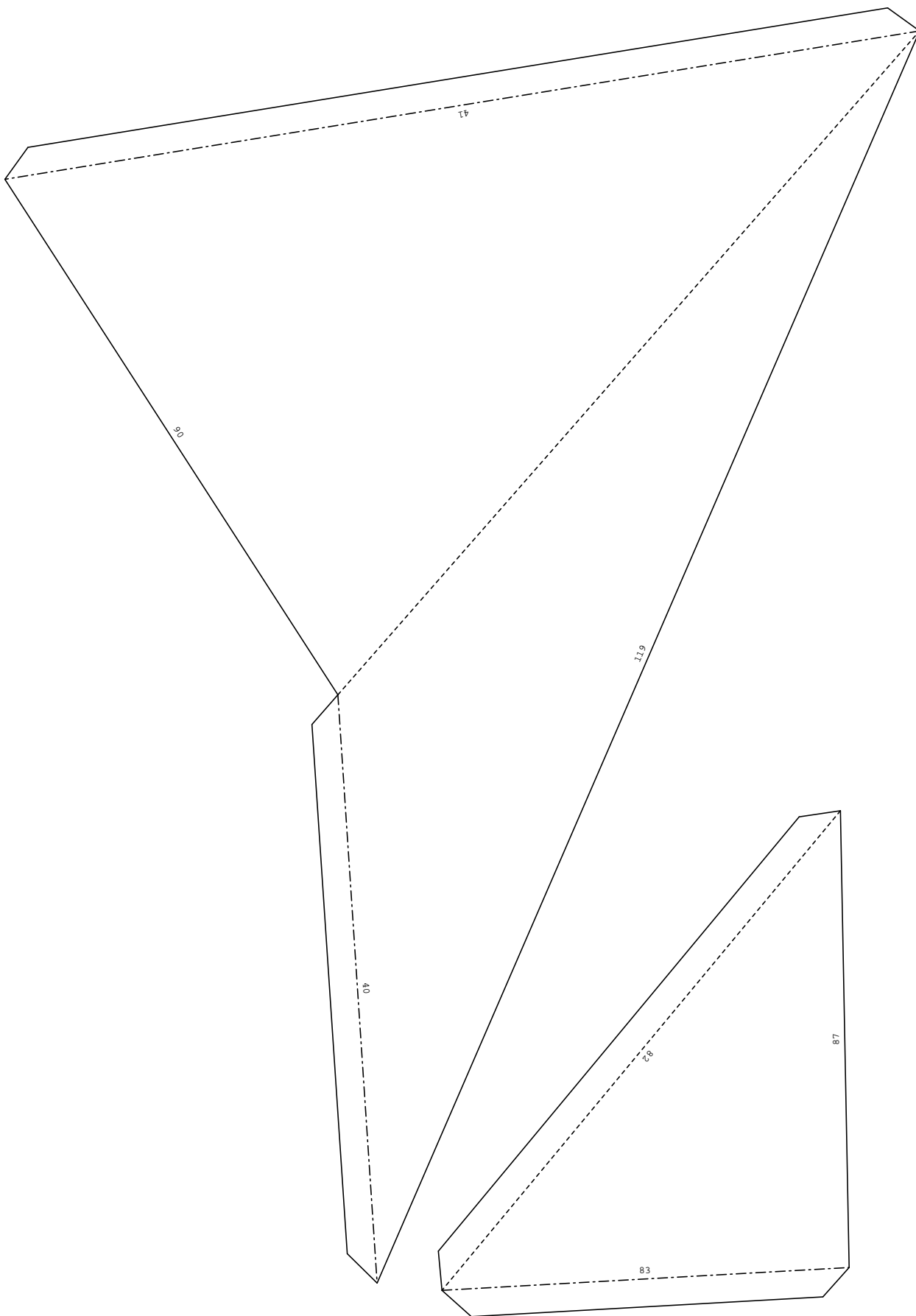


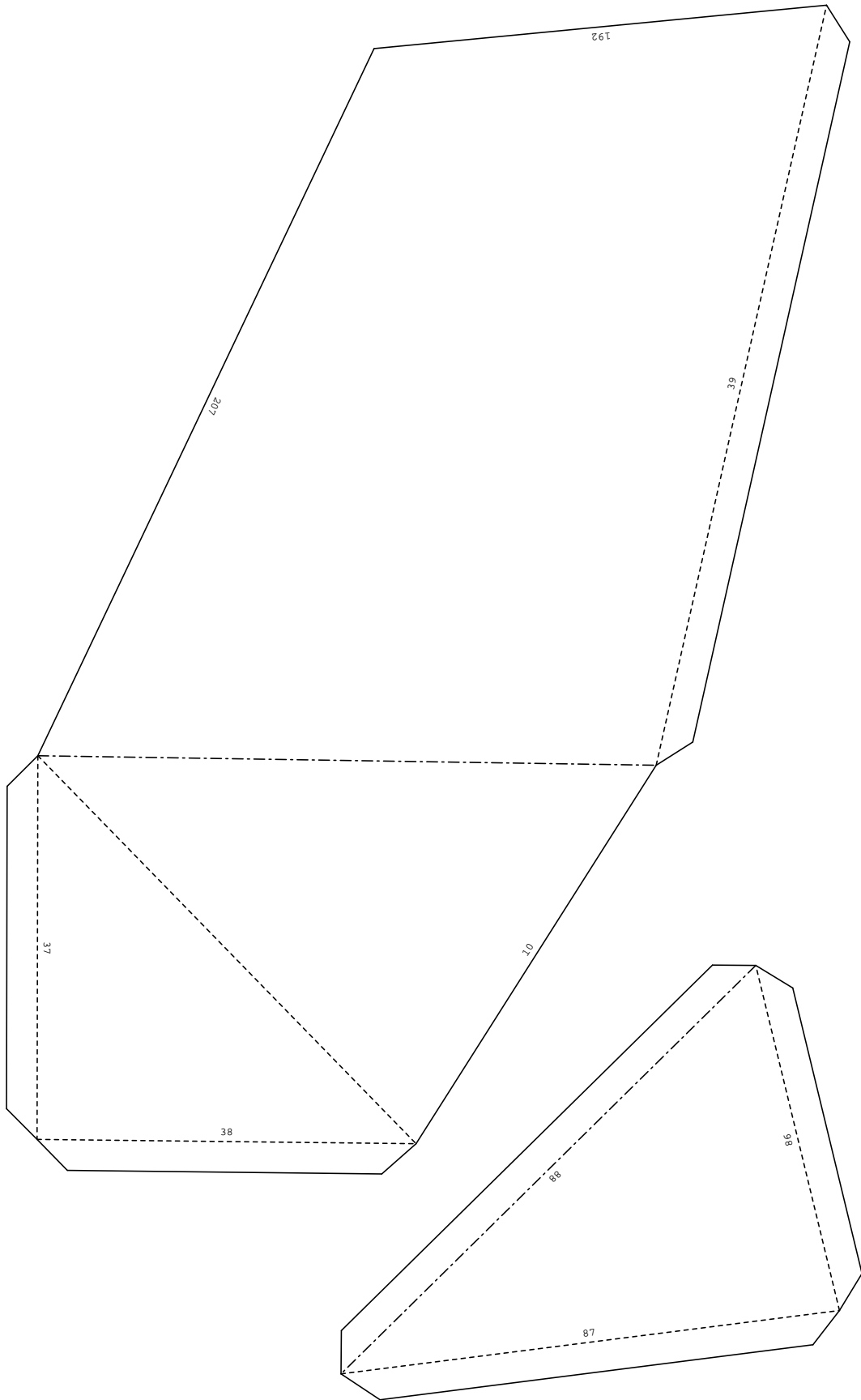


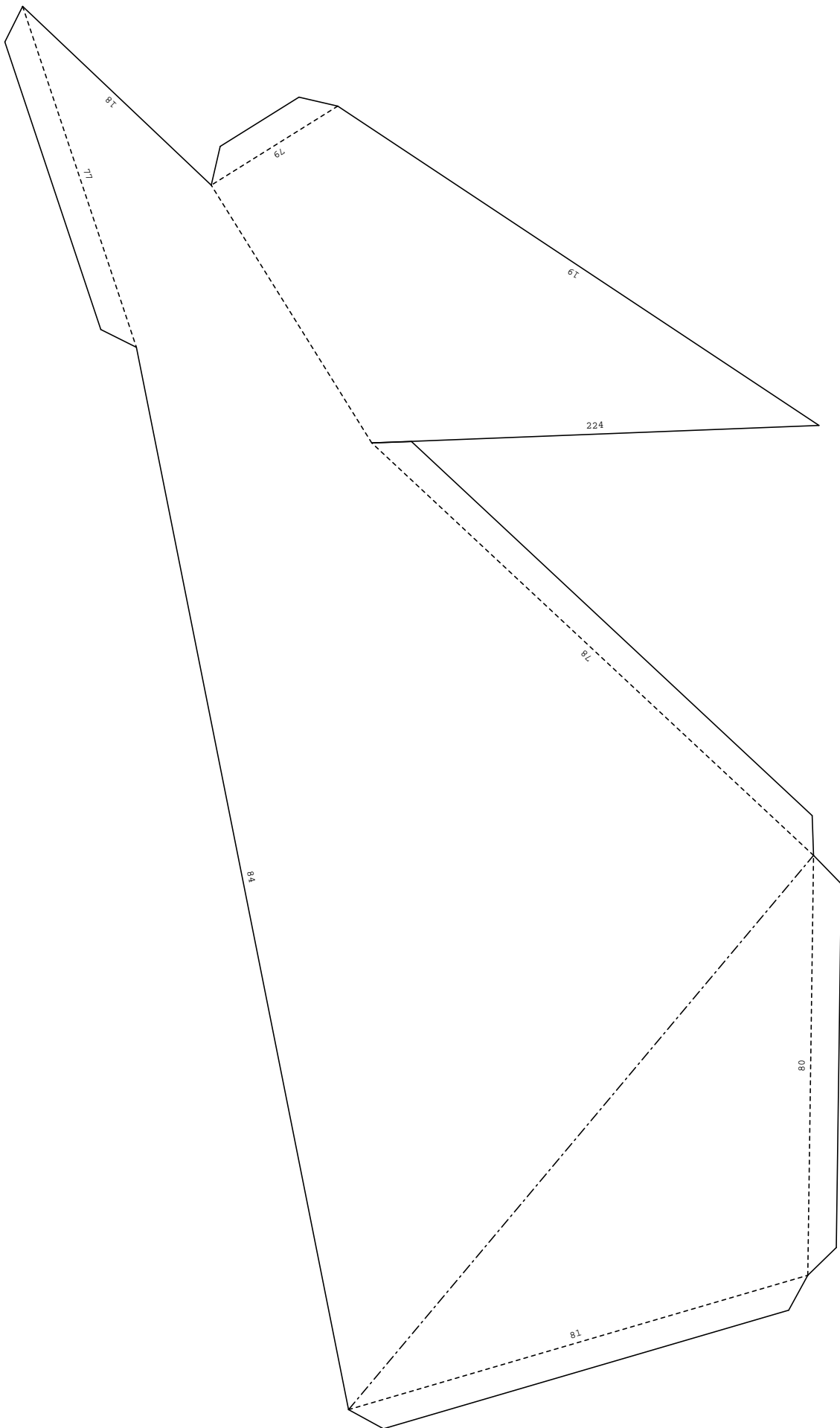


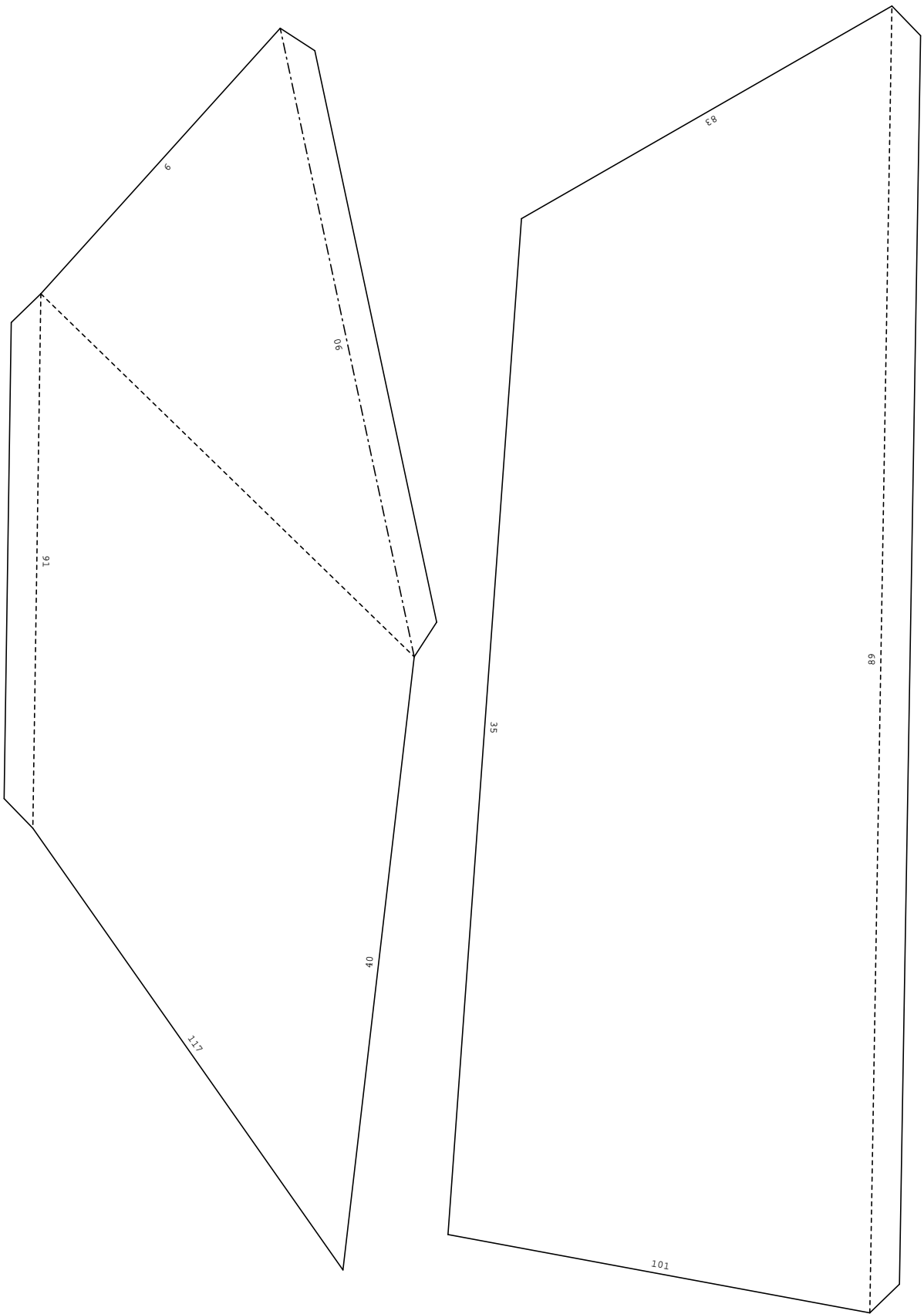


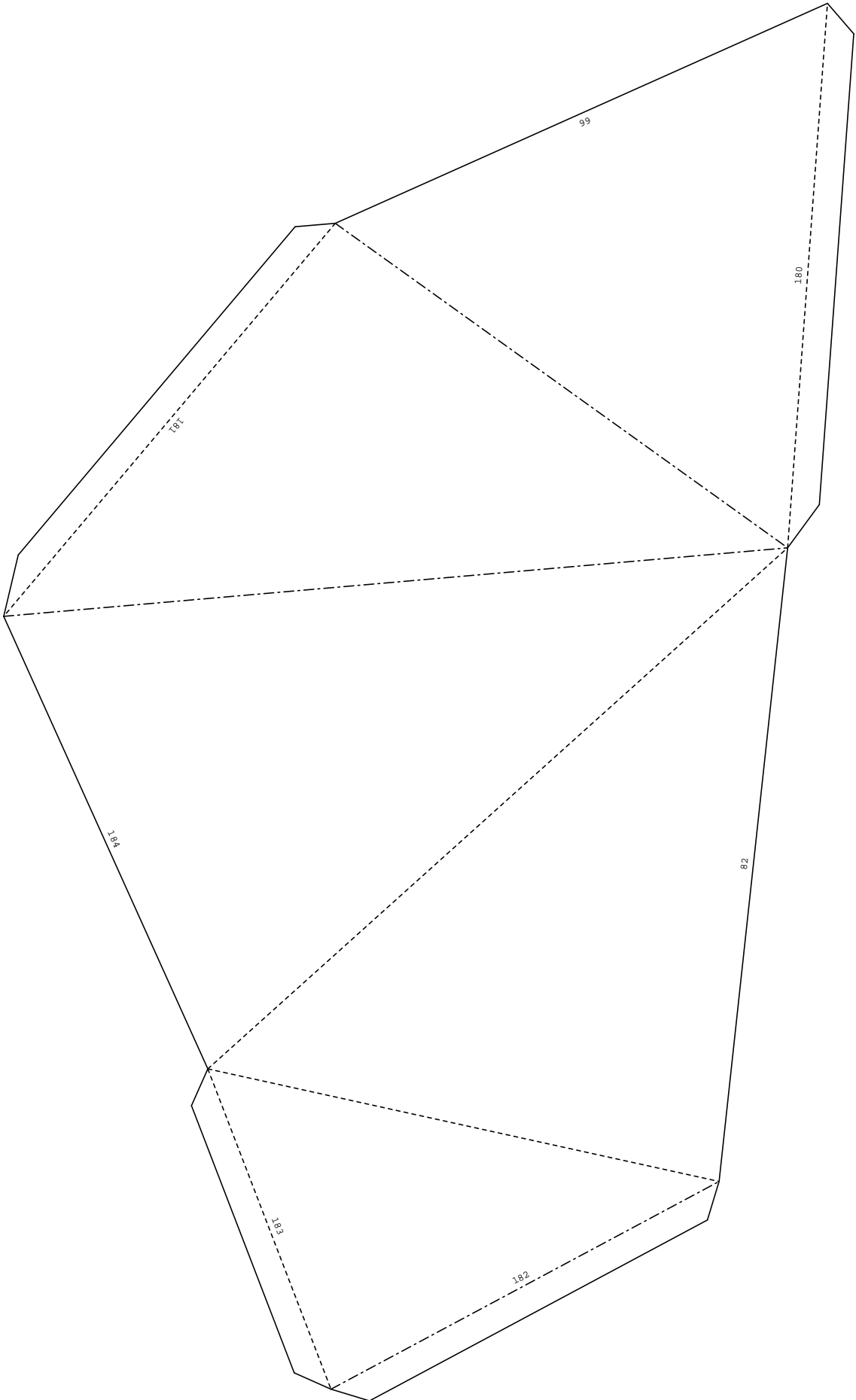


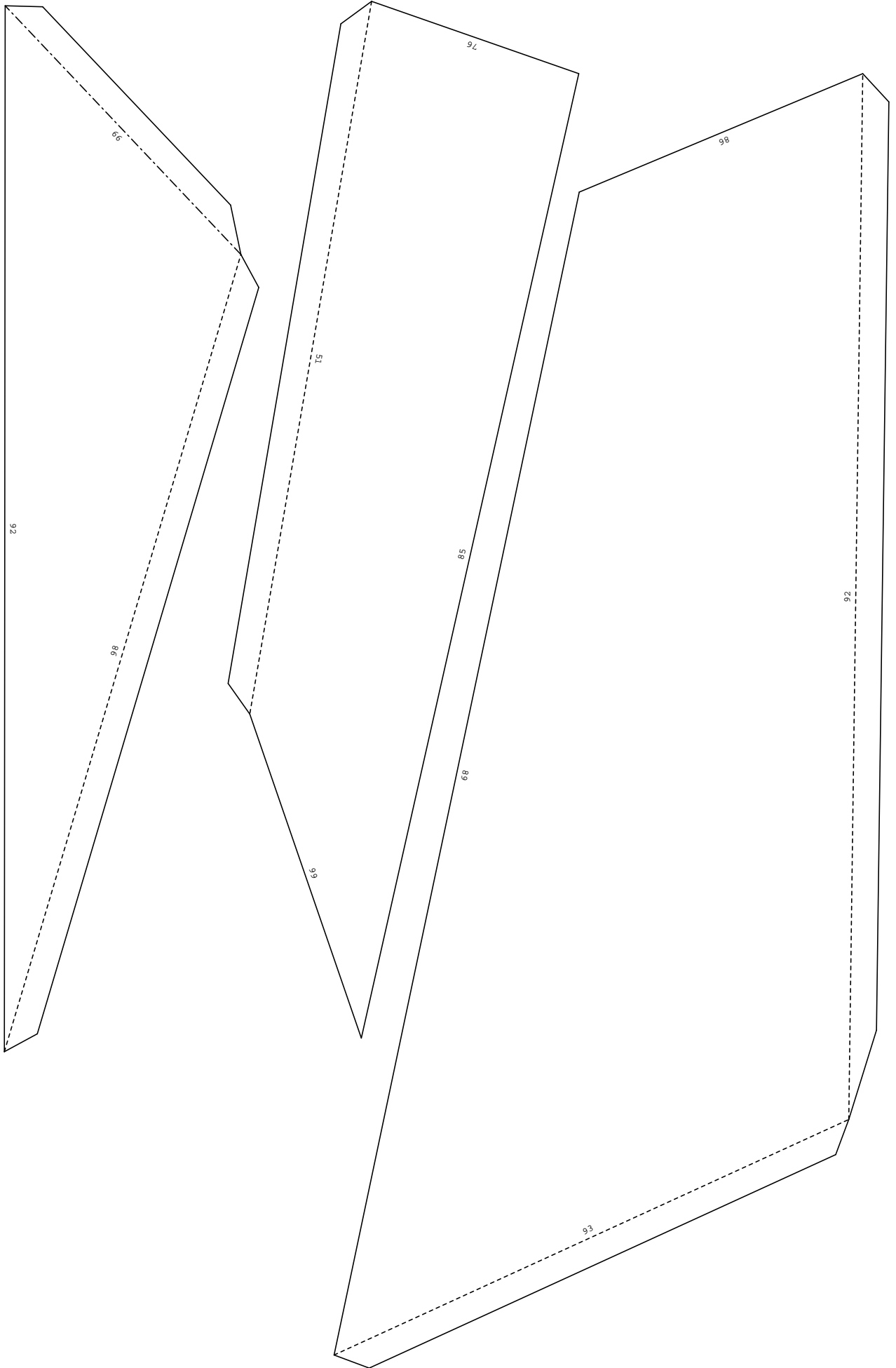


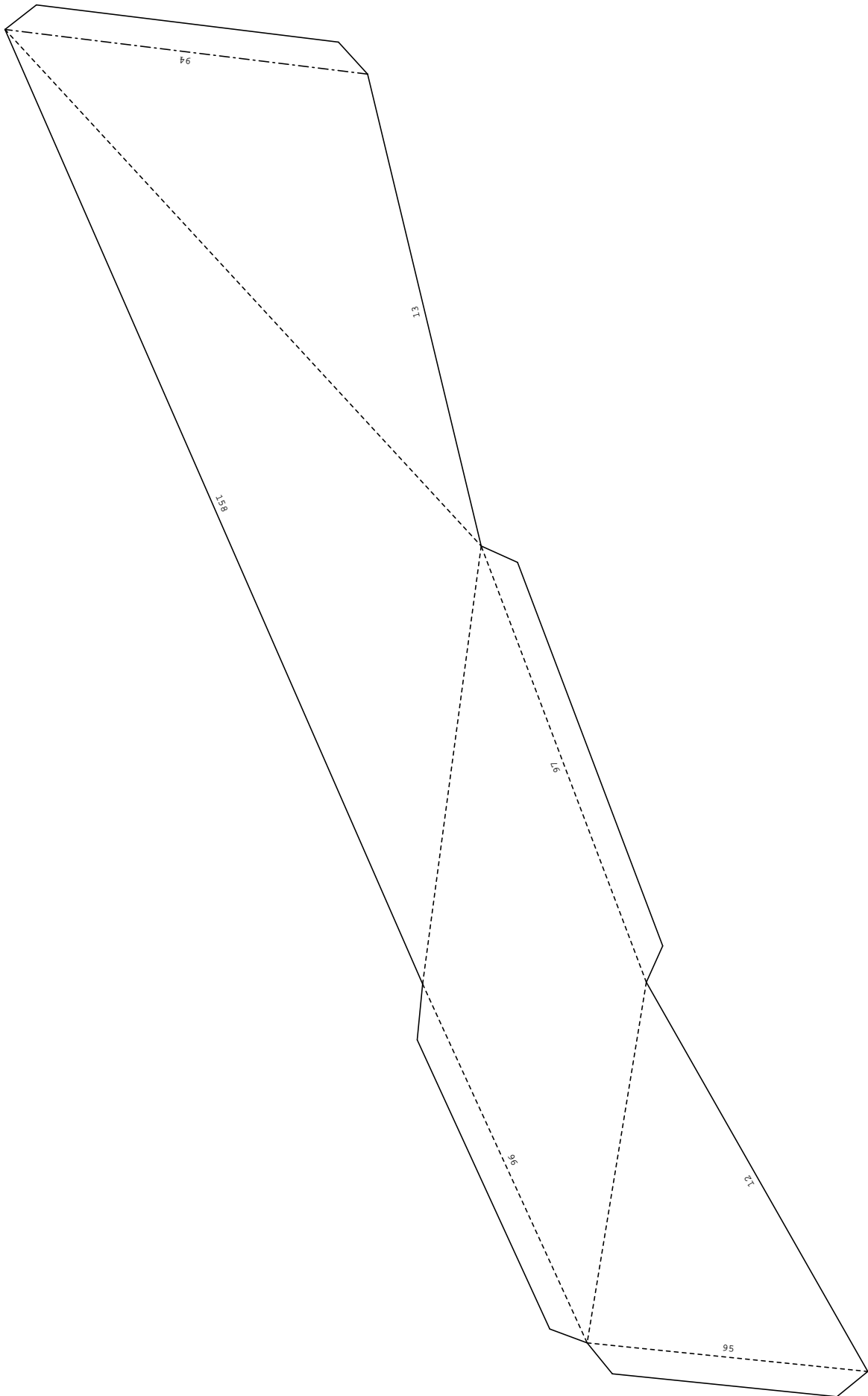




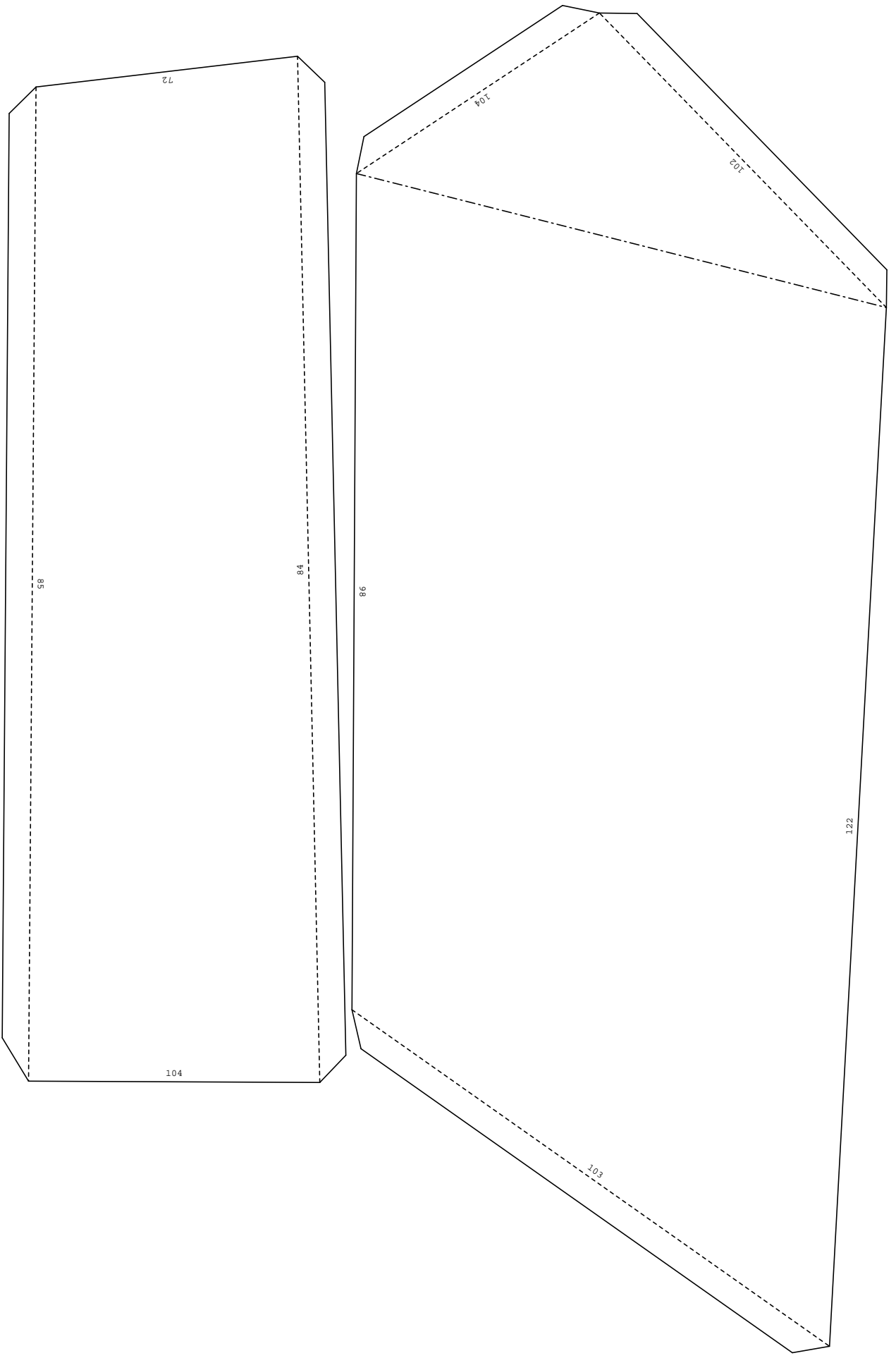


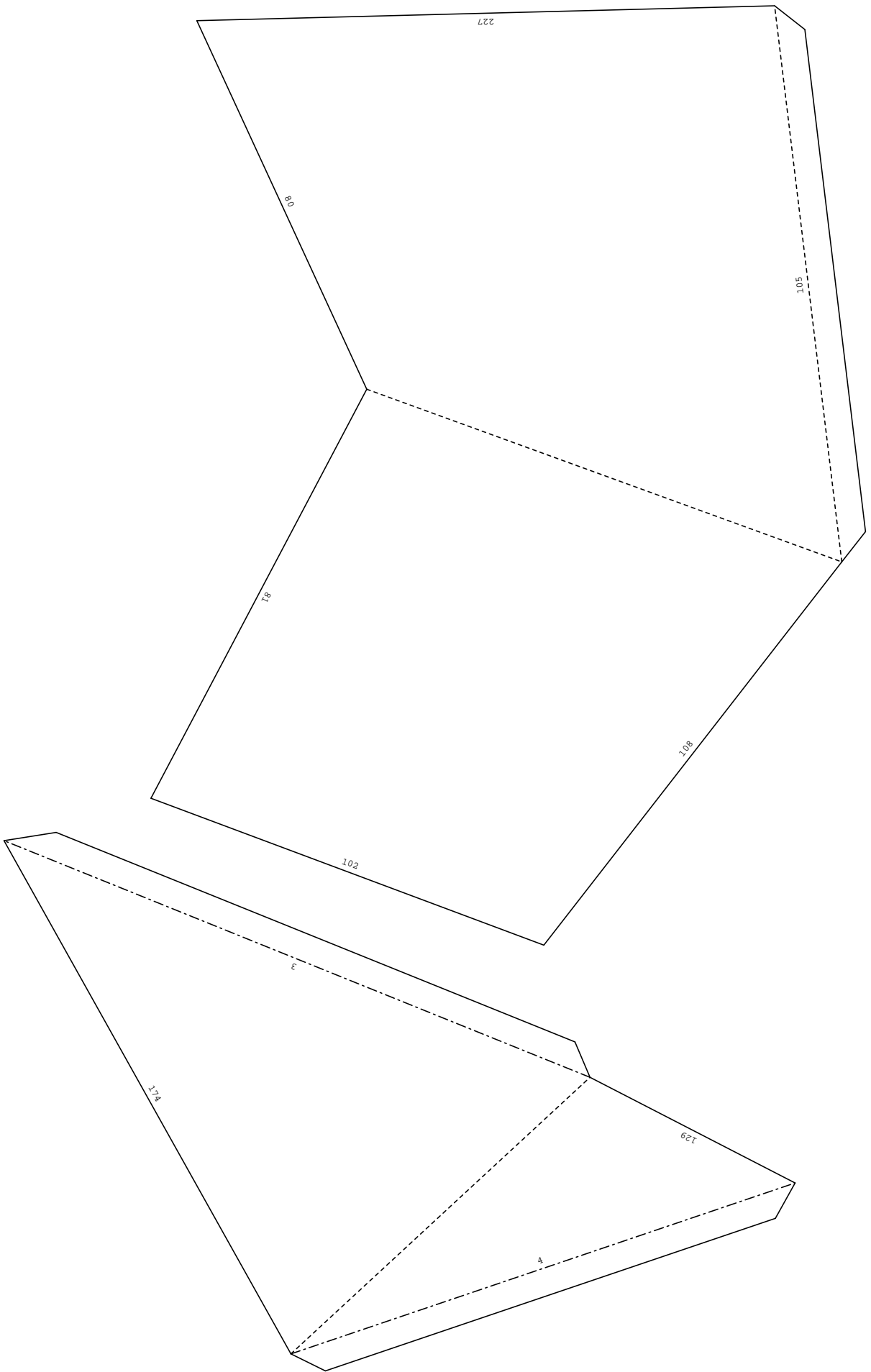


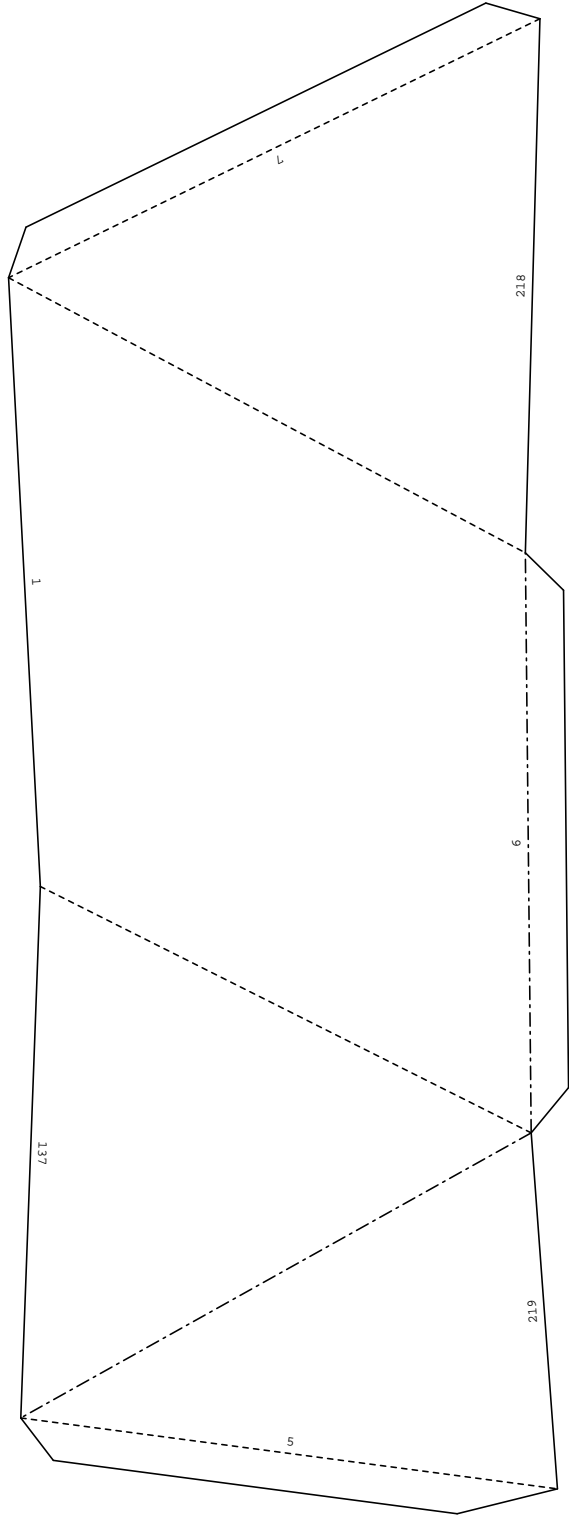
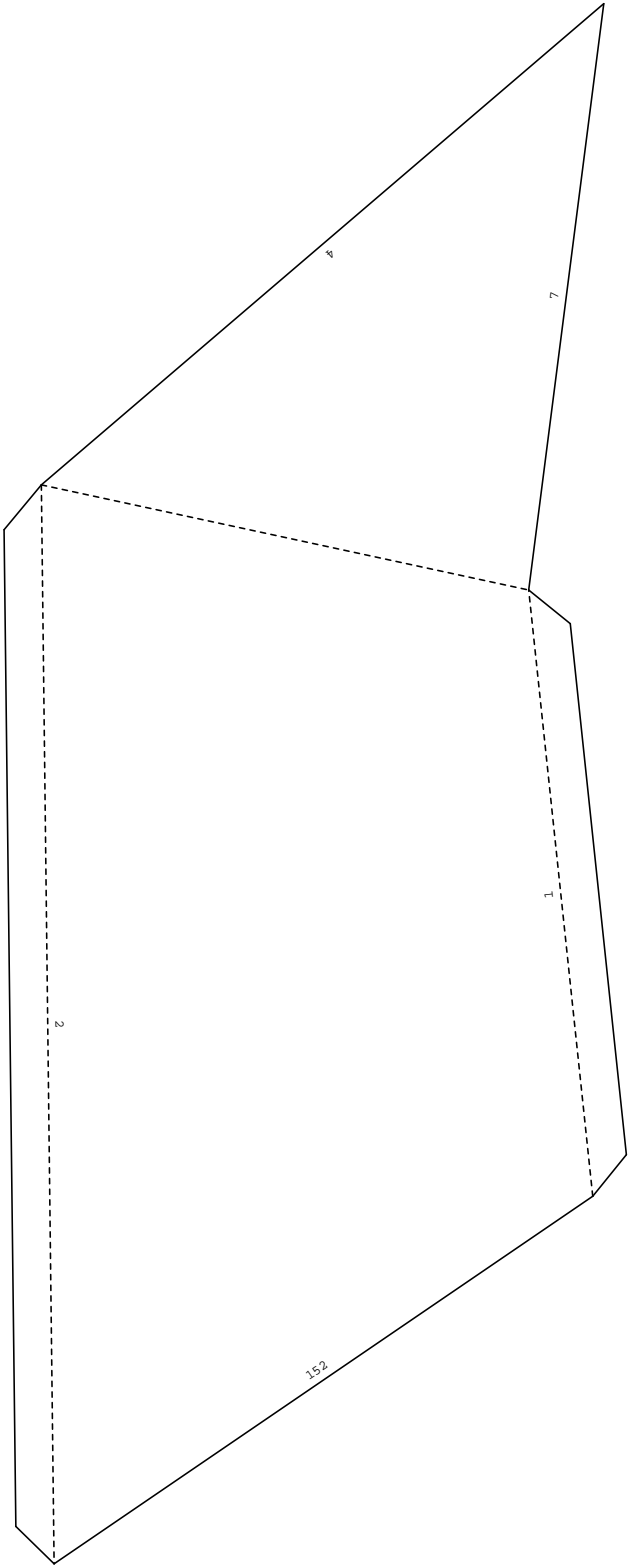


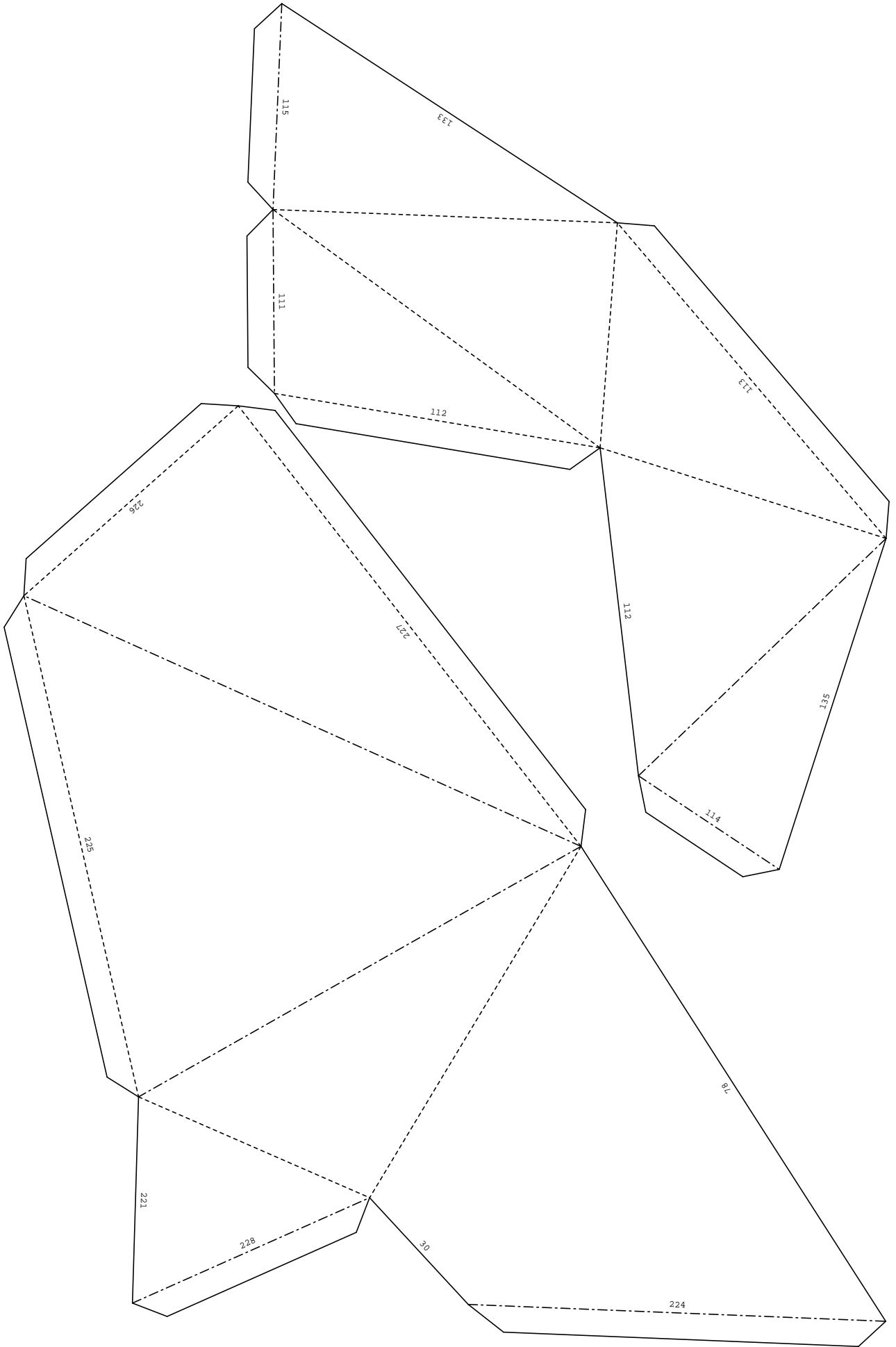


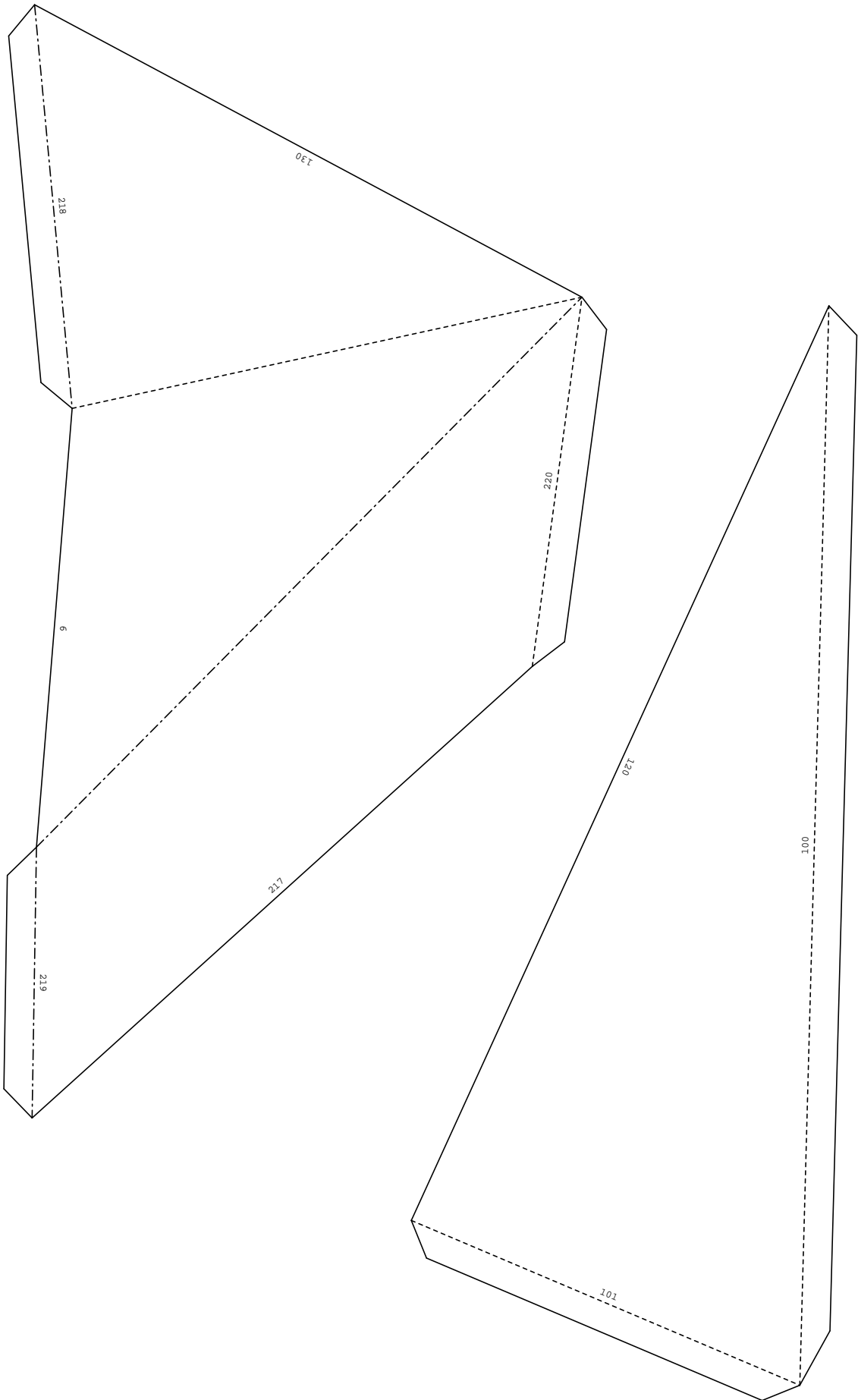


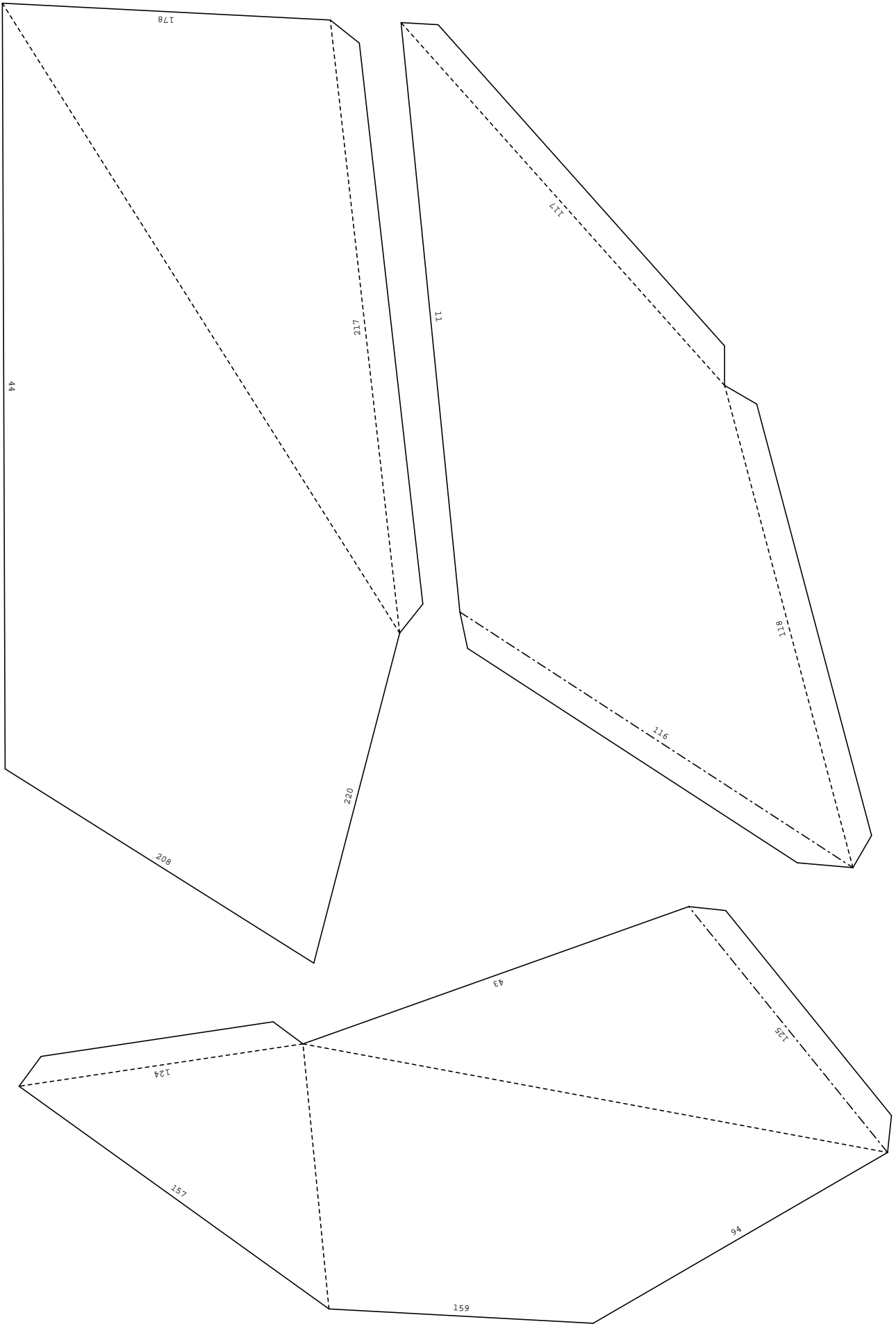


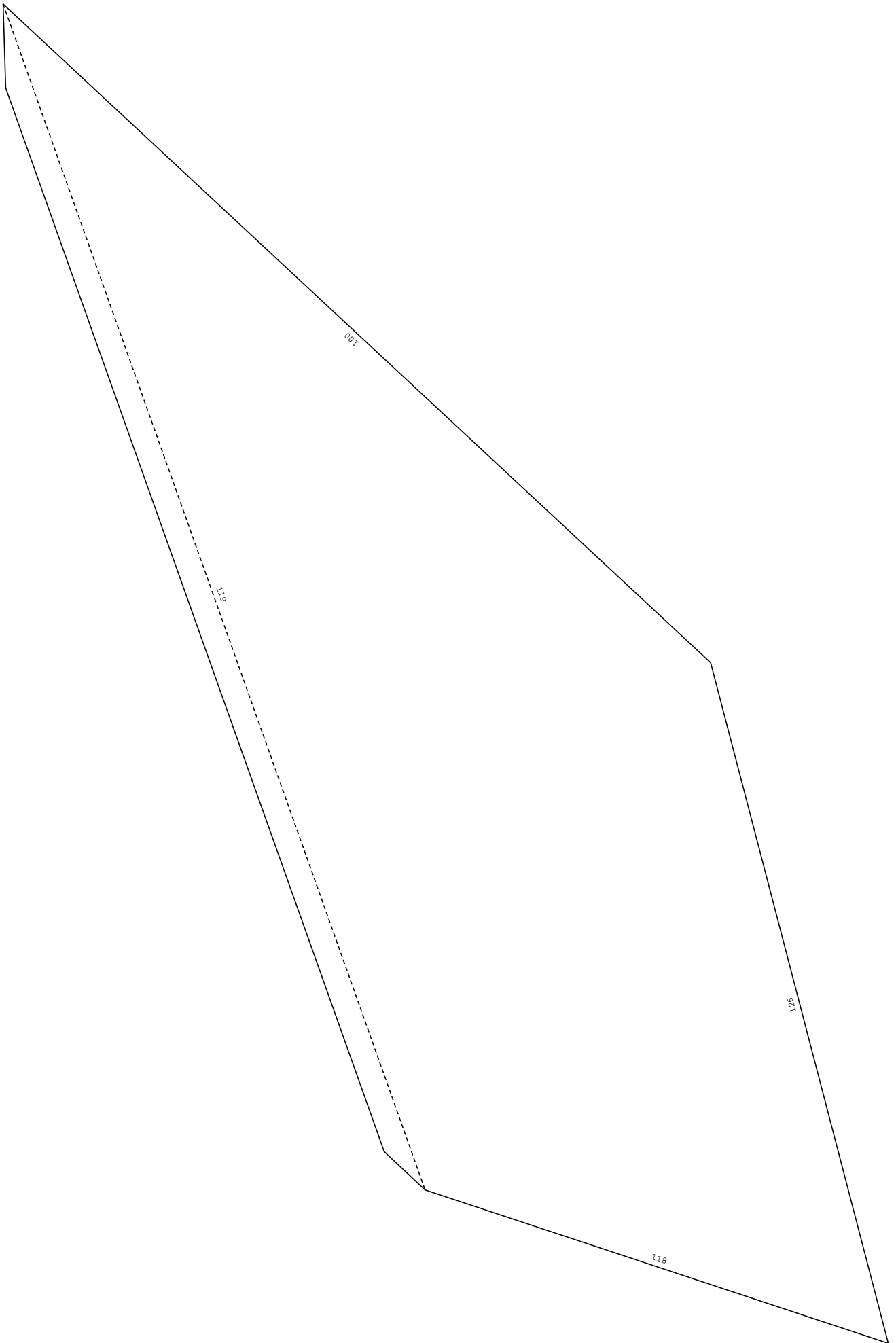


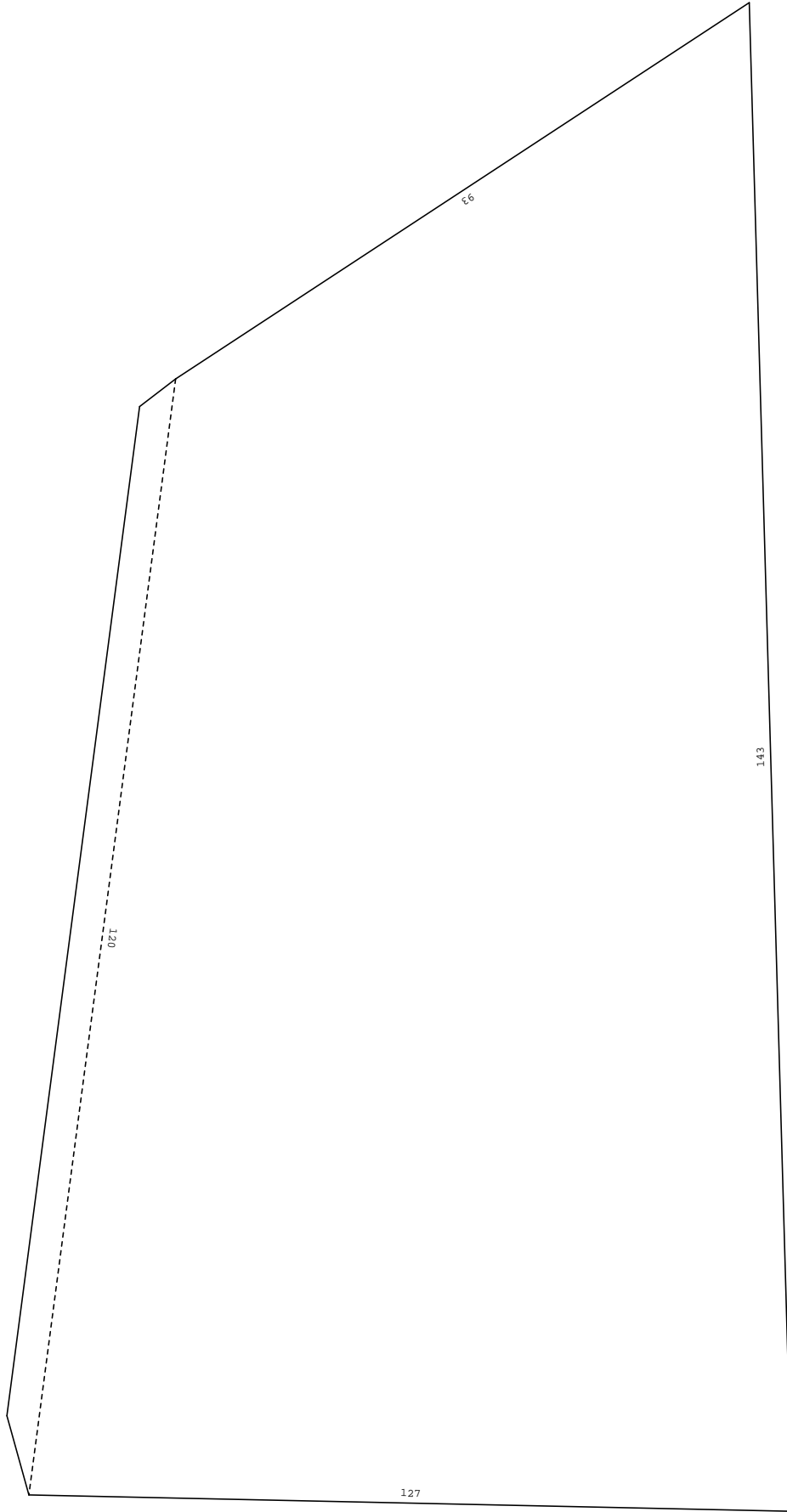




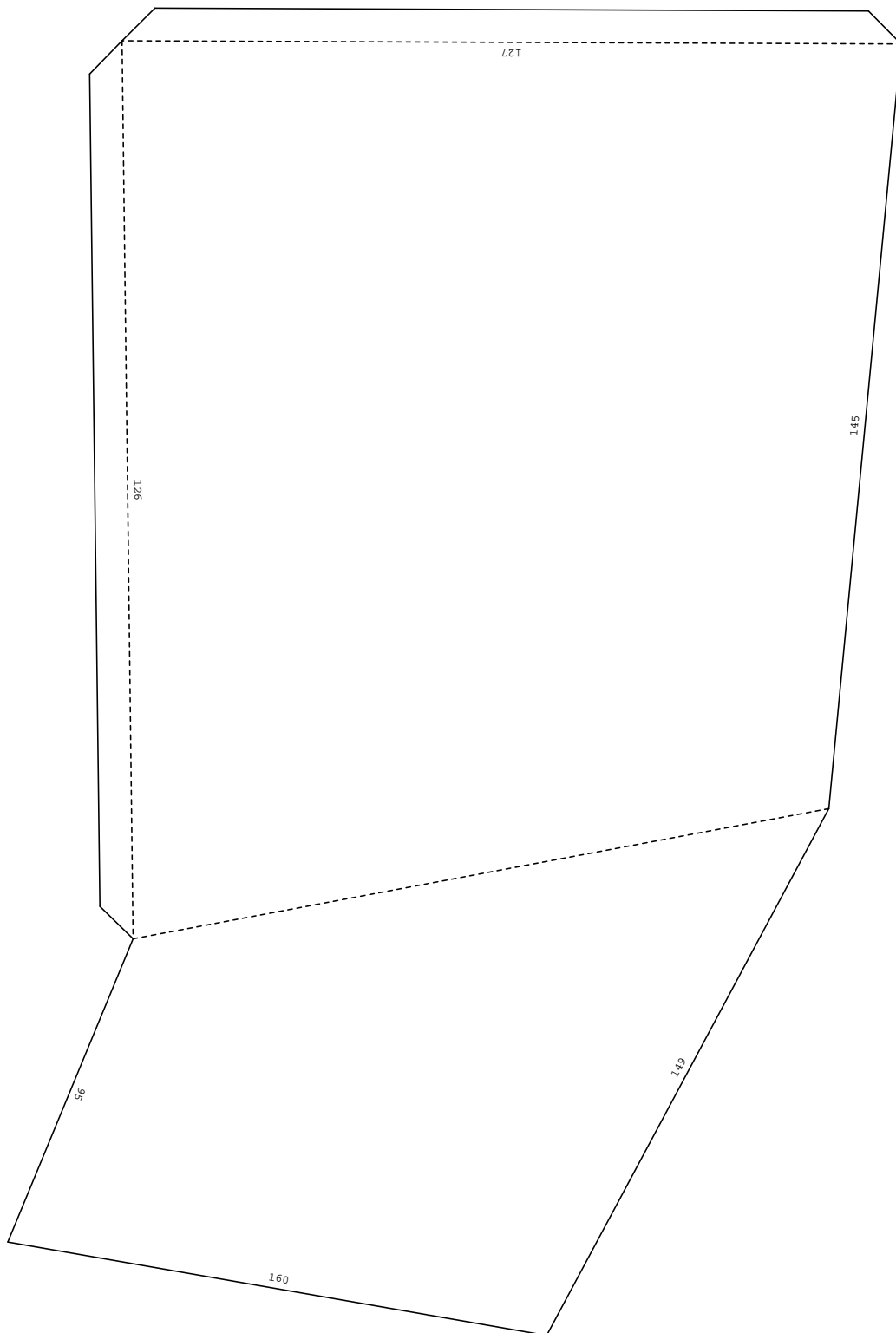


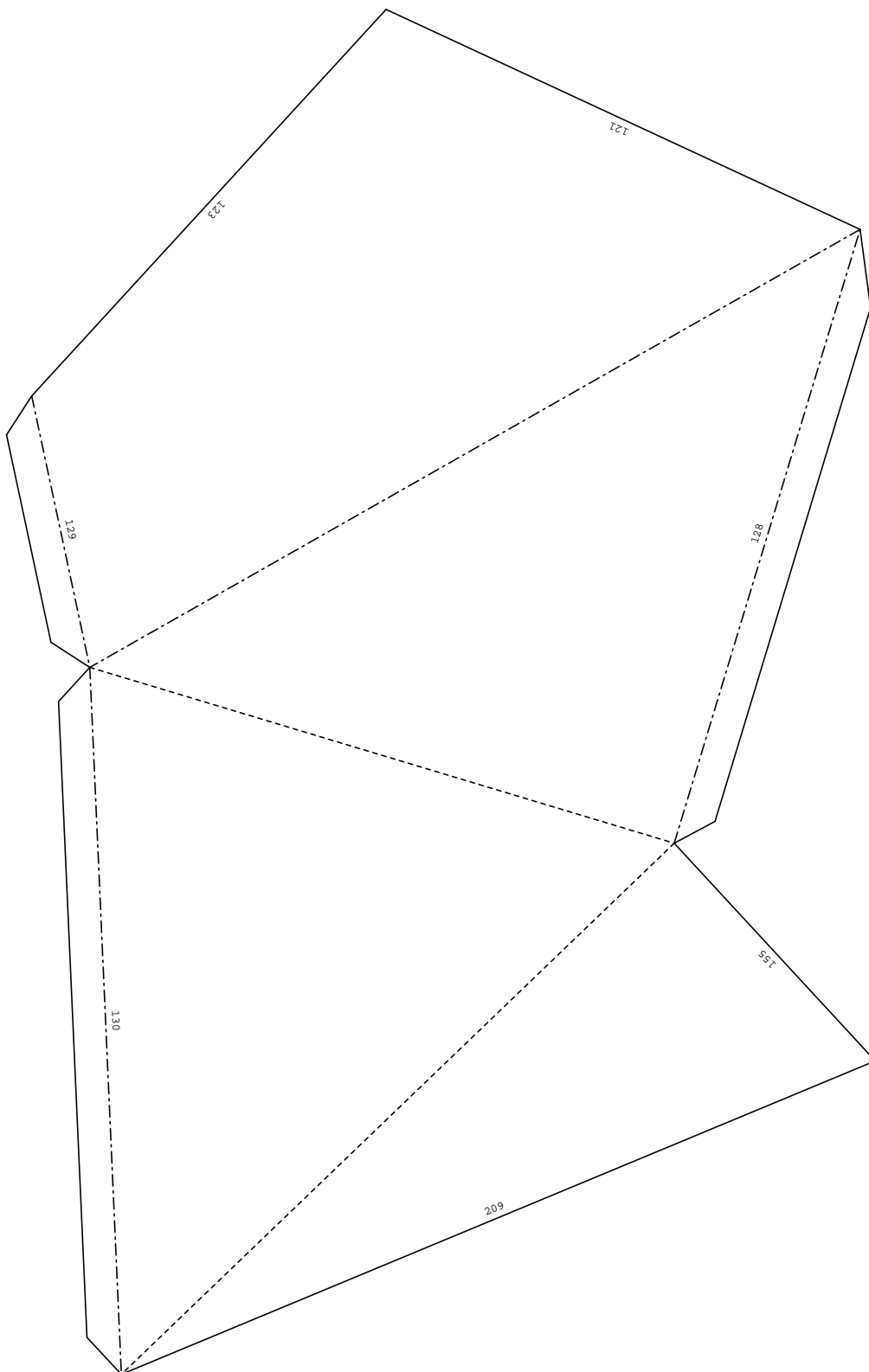


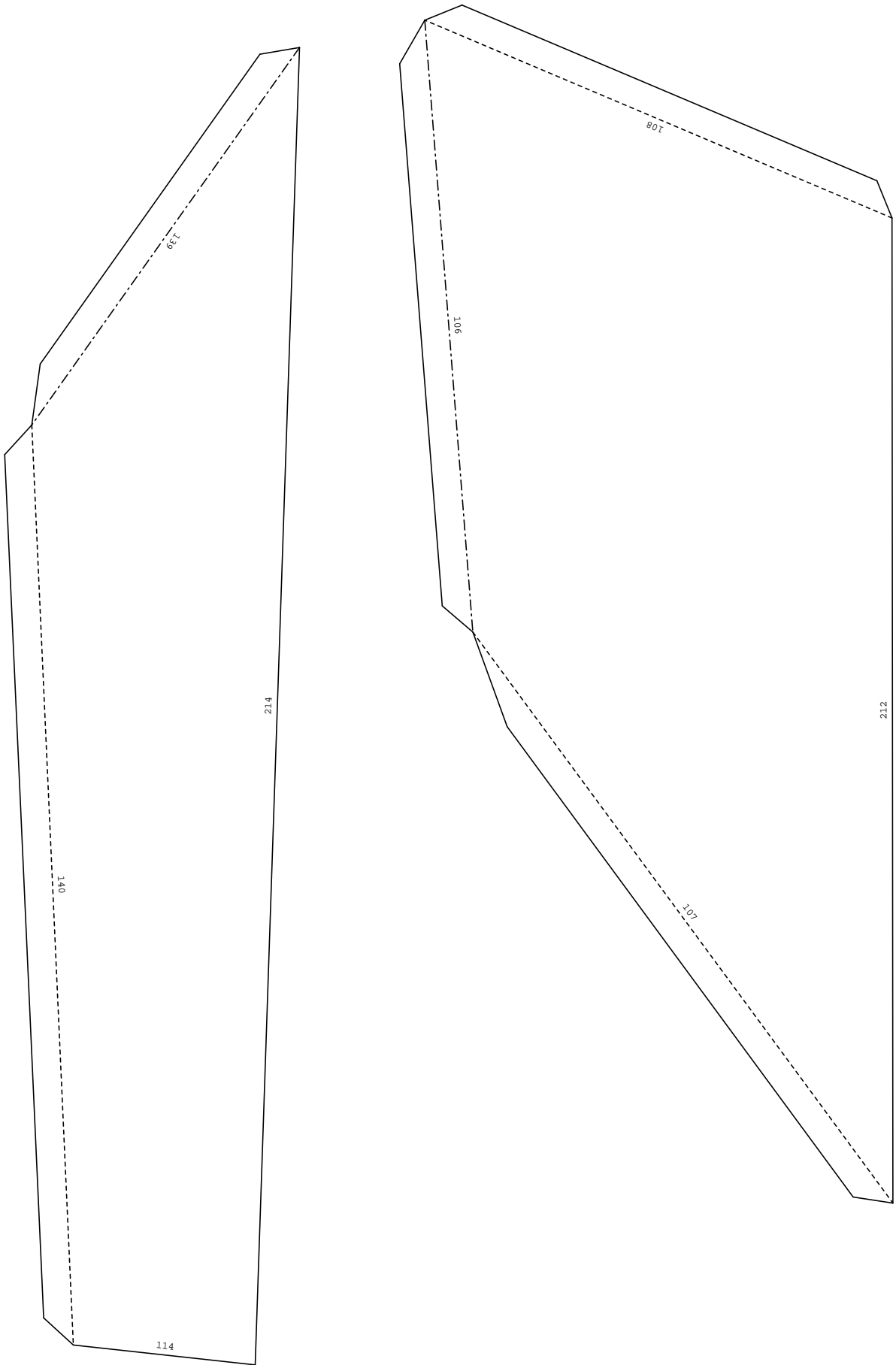


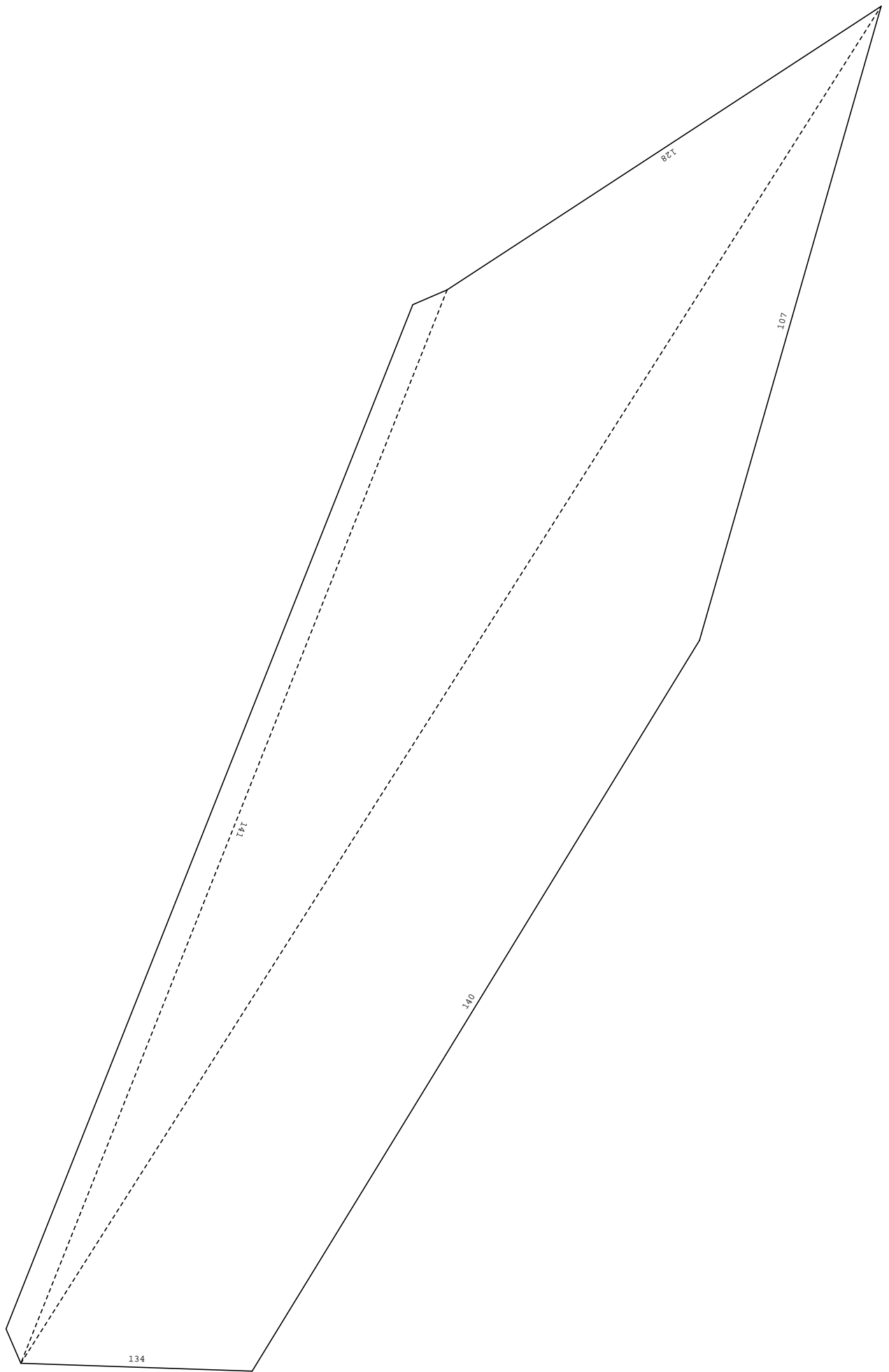


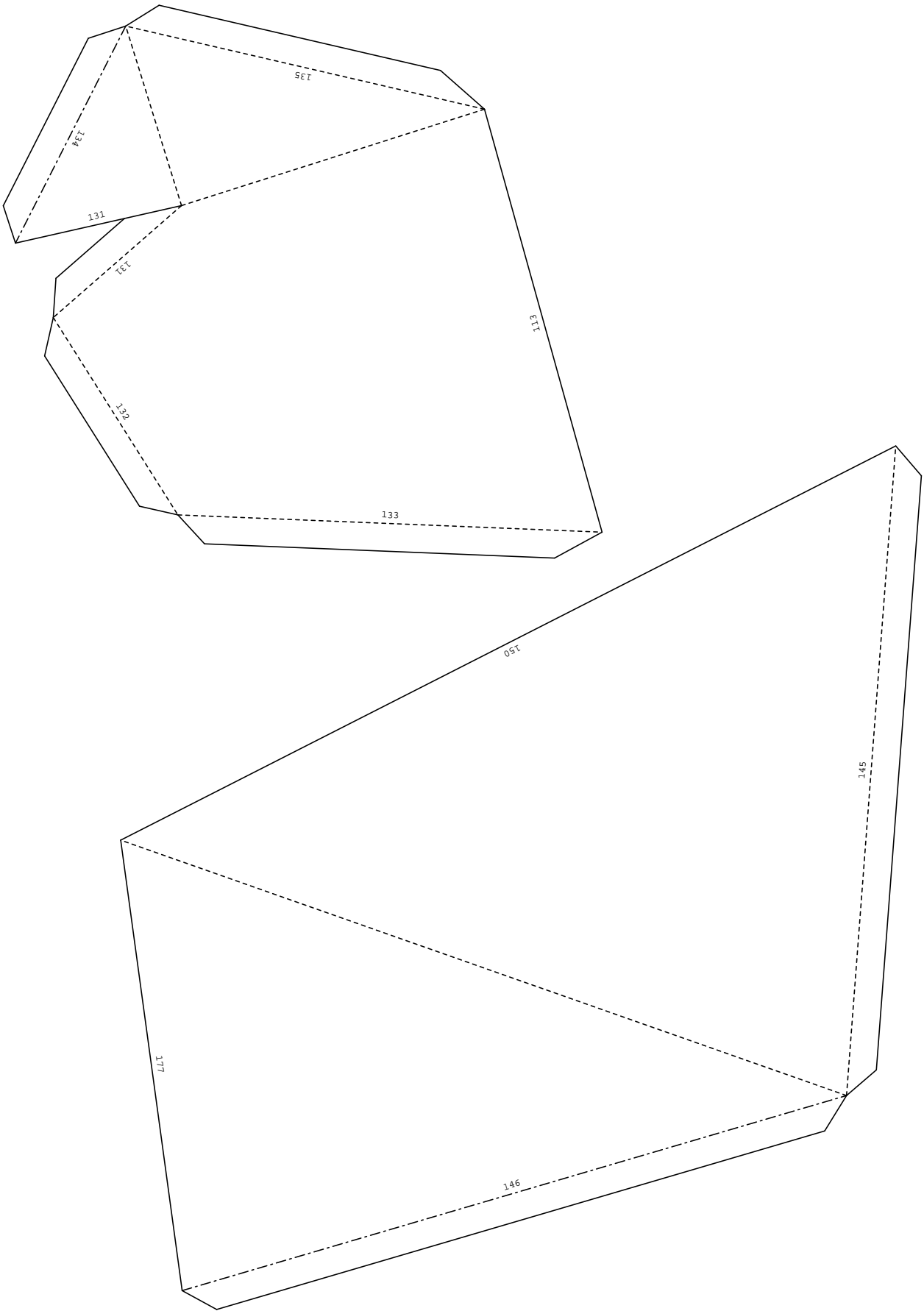


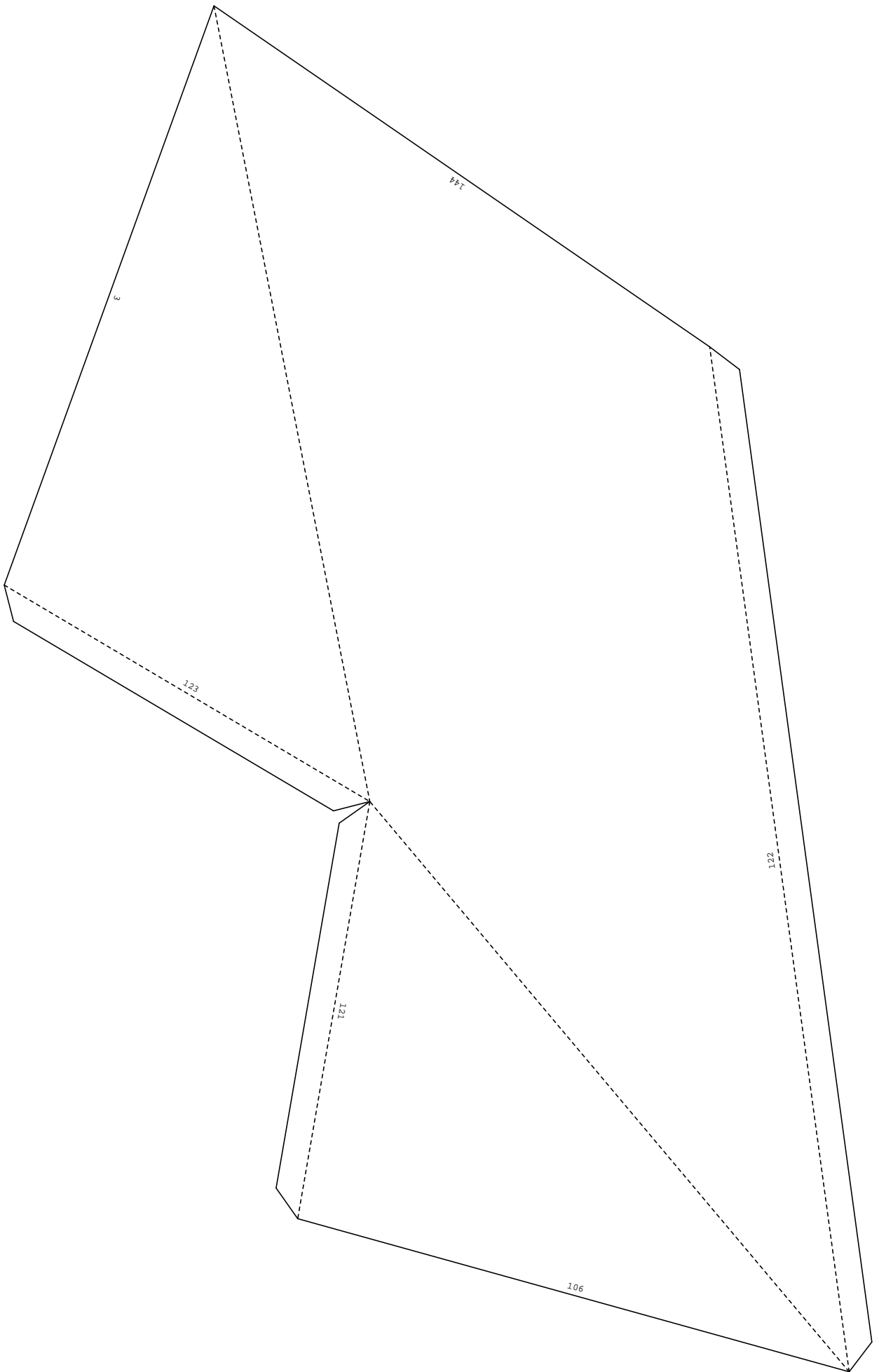


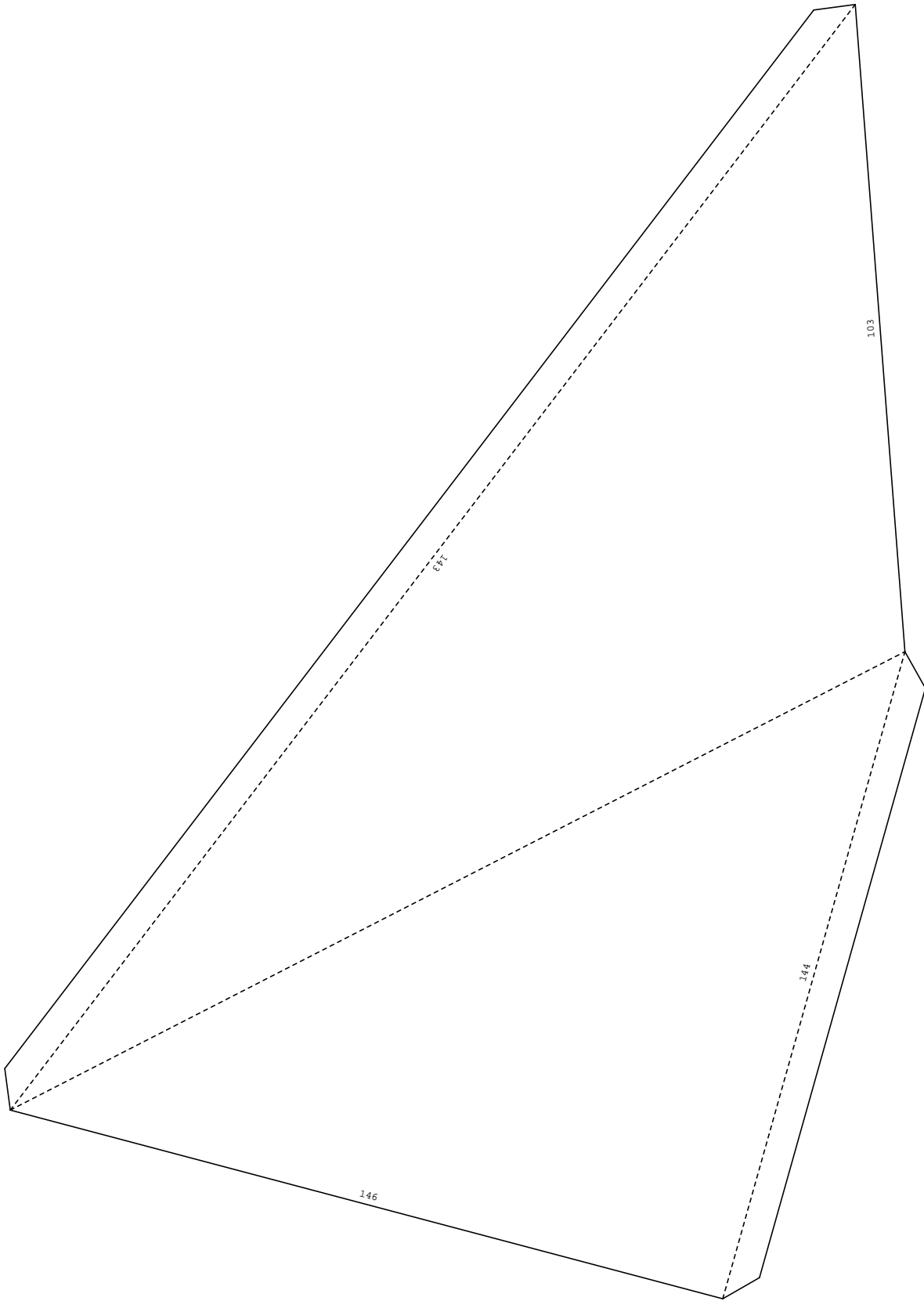


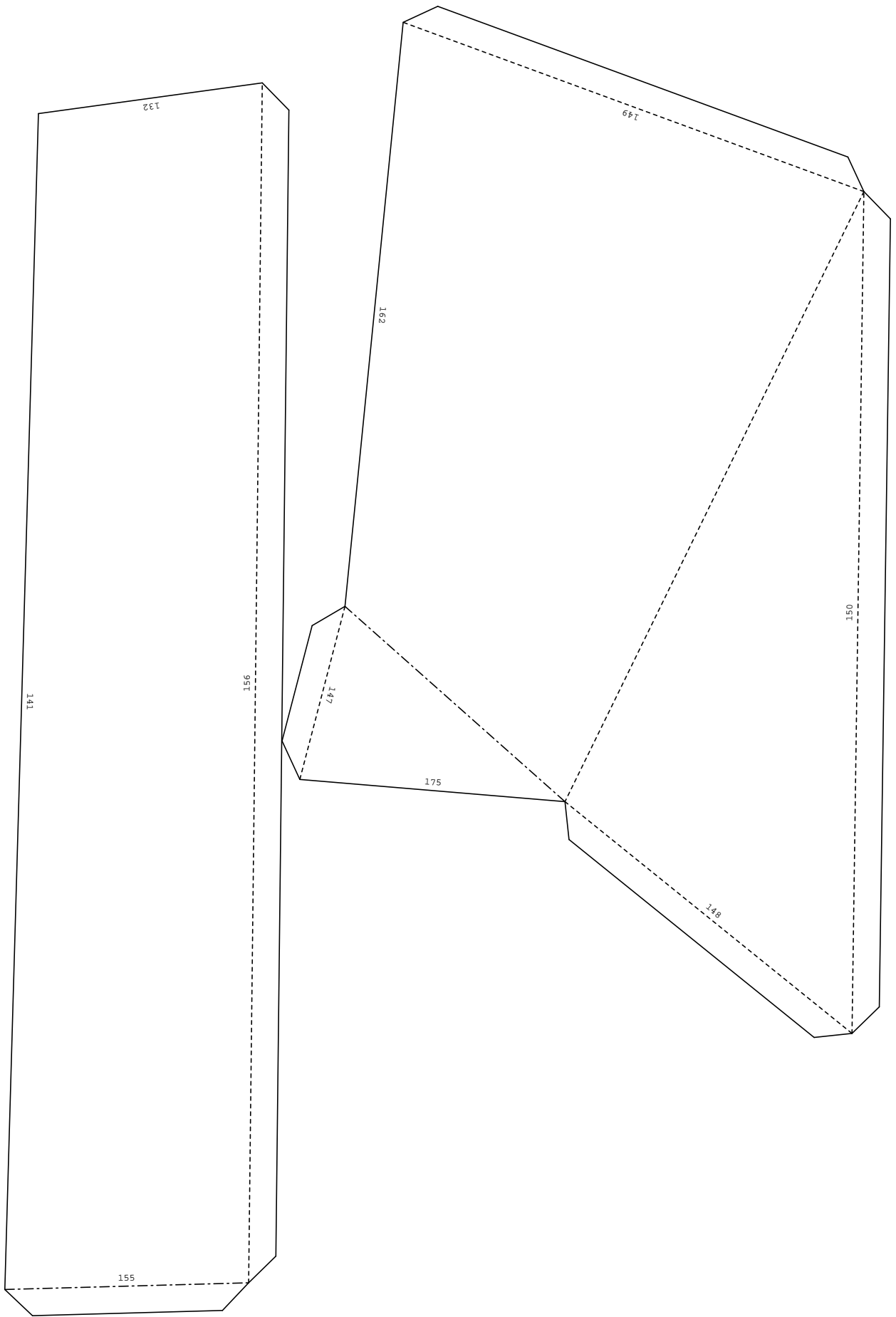




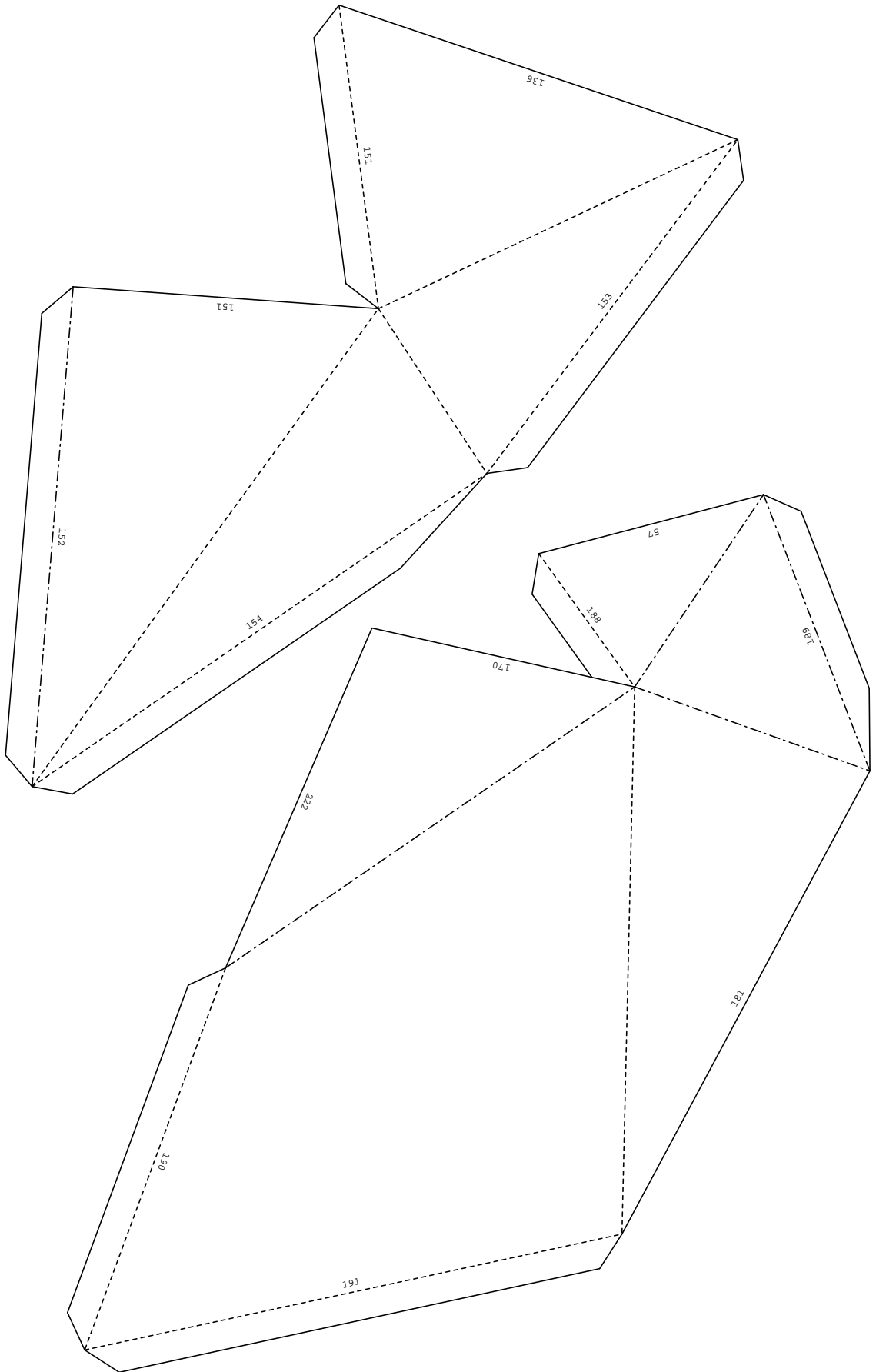


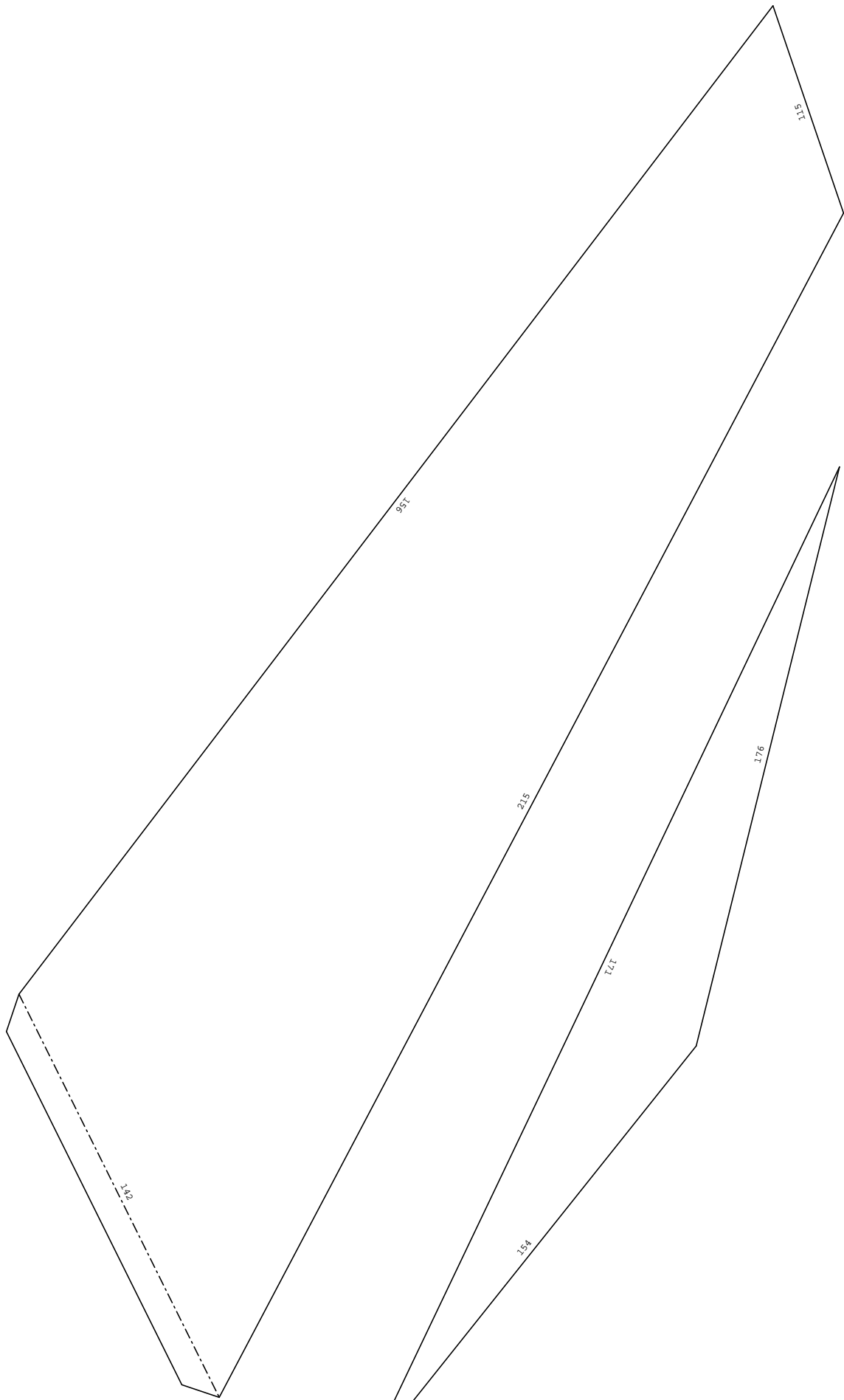




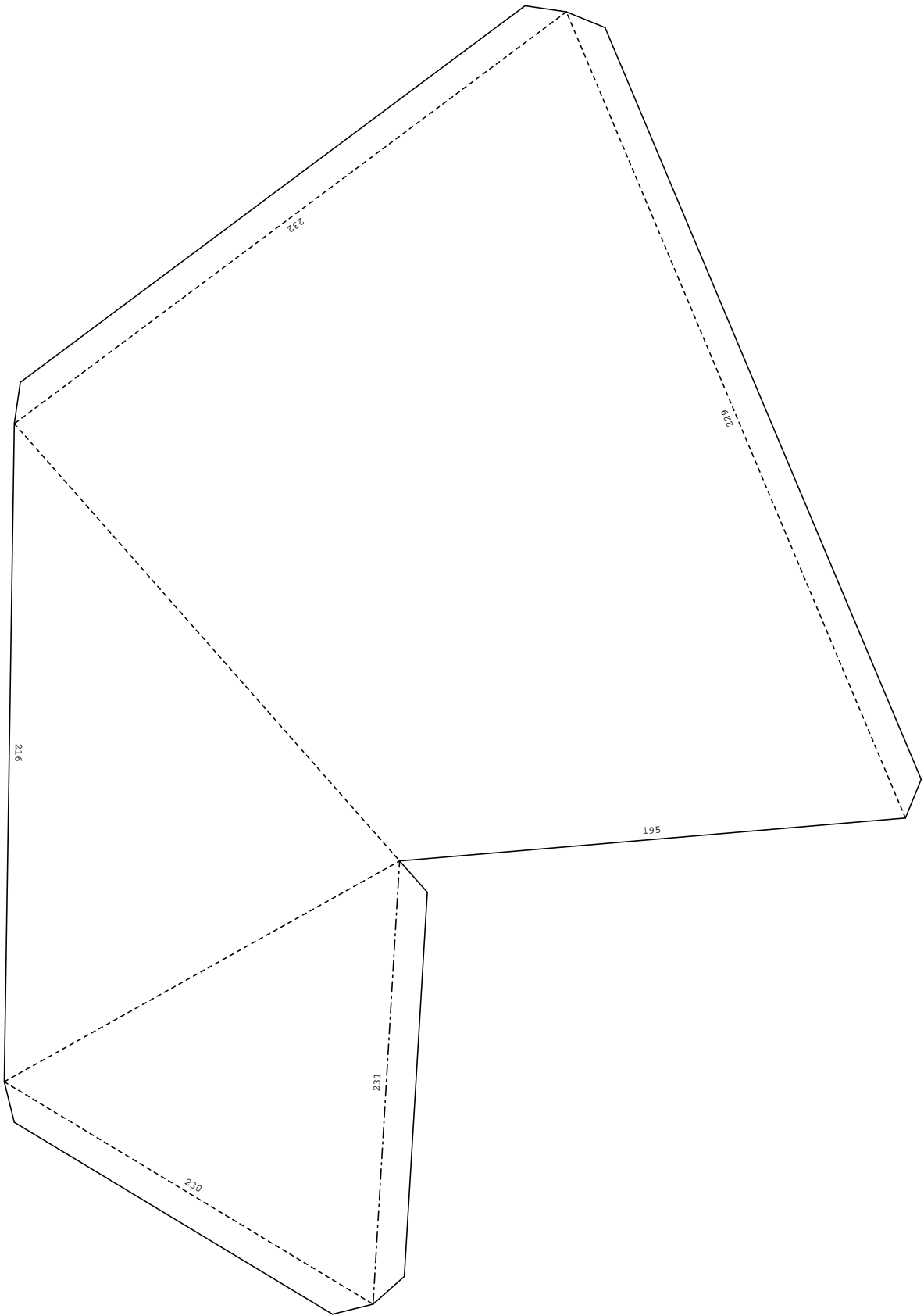


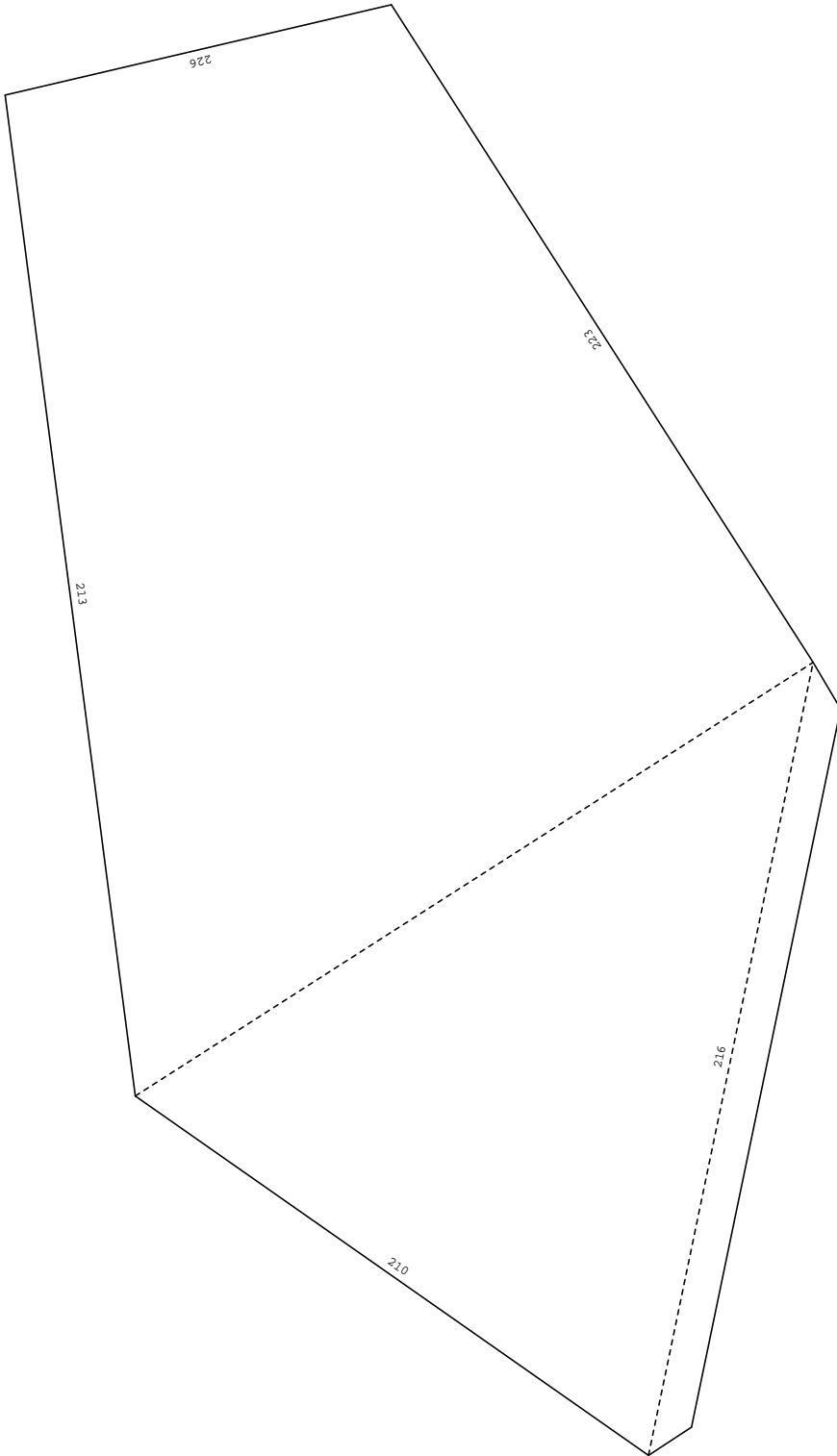


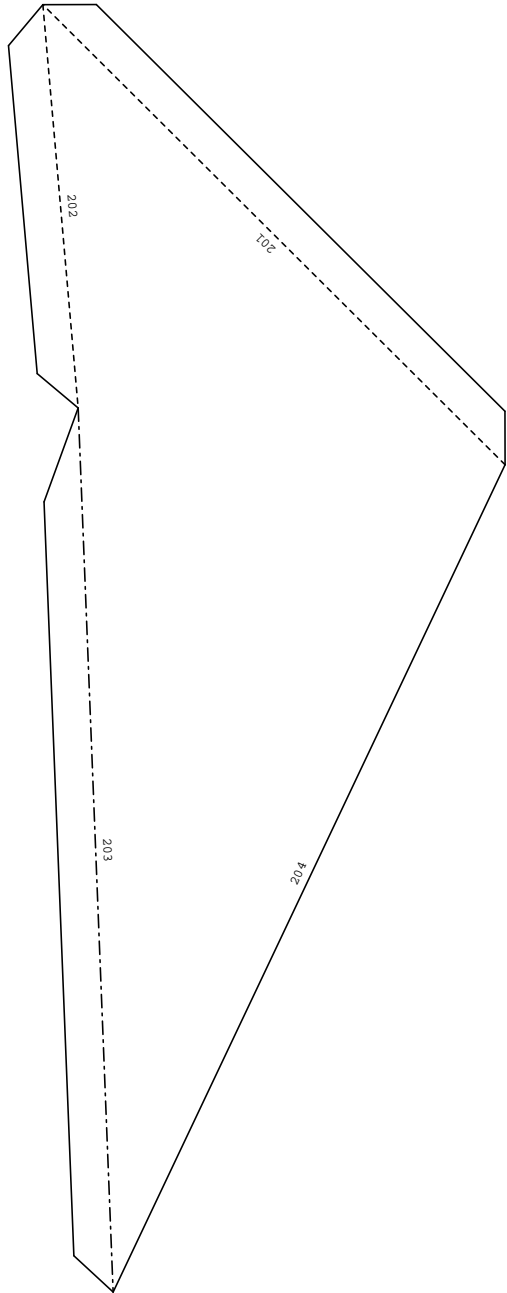
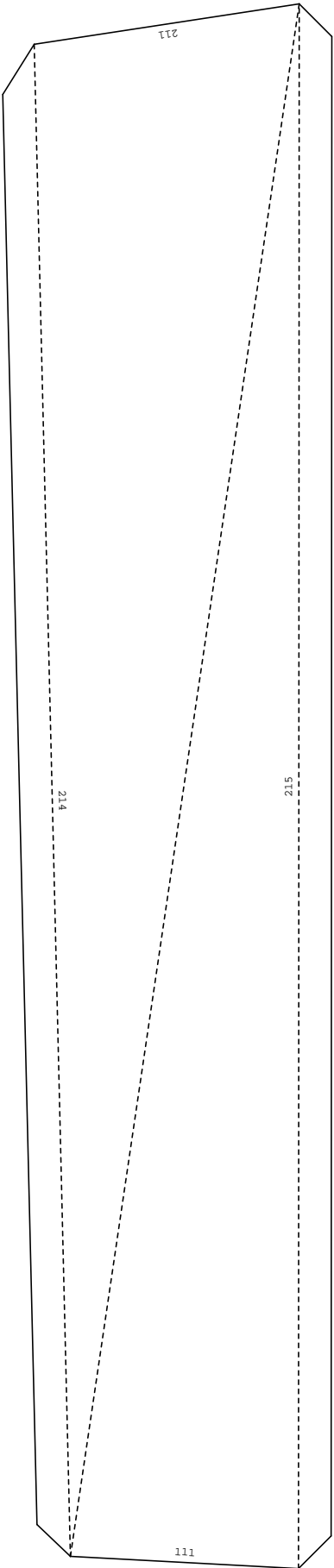


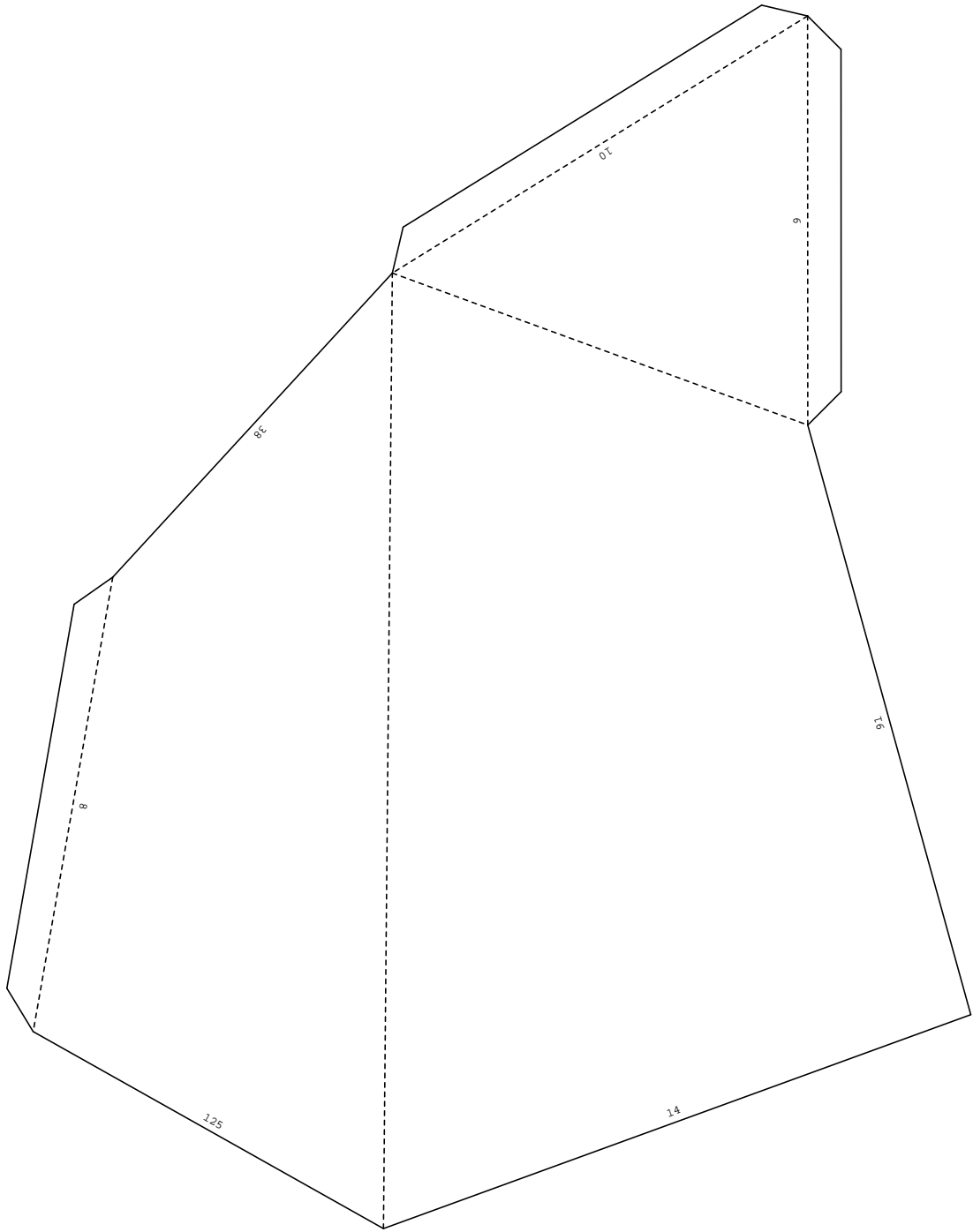


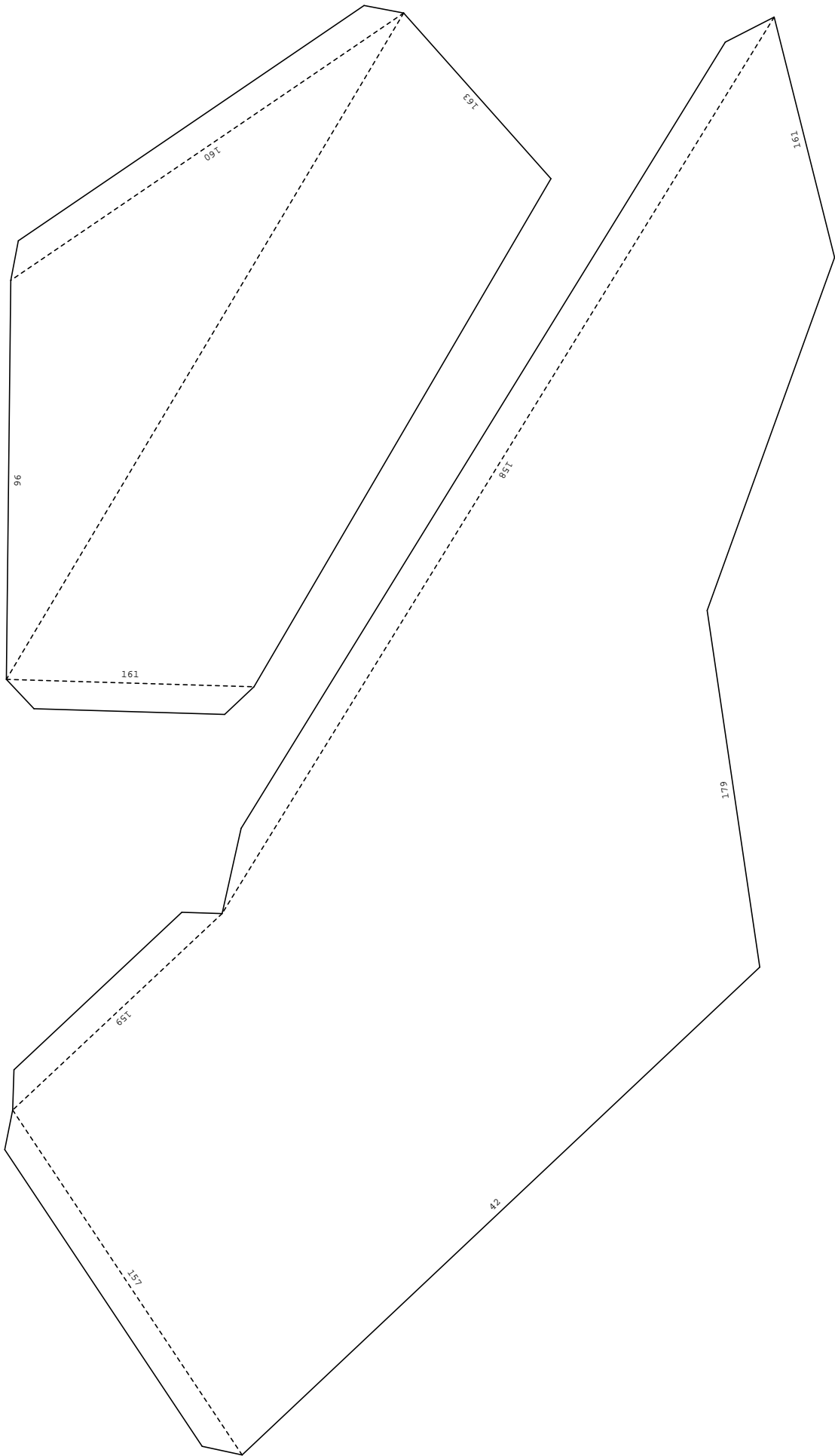
32/48 (row4 col5)

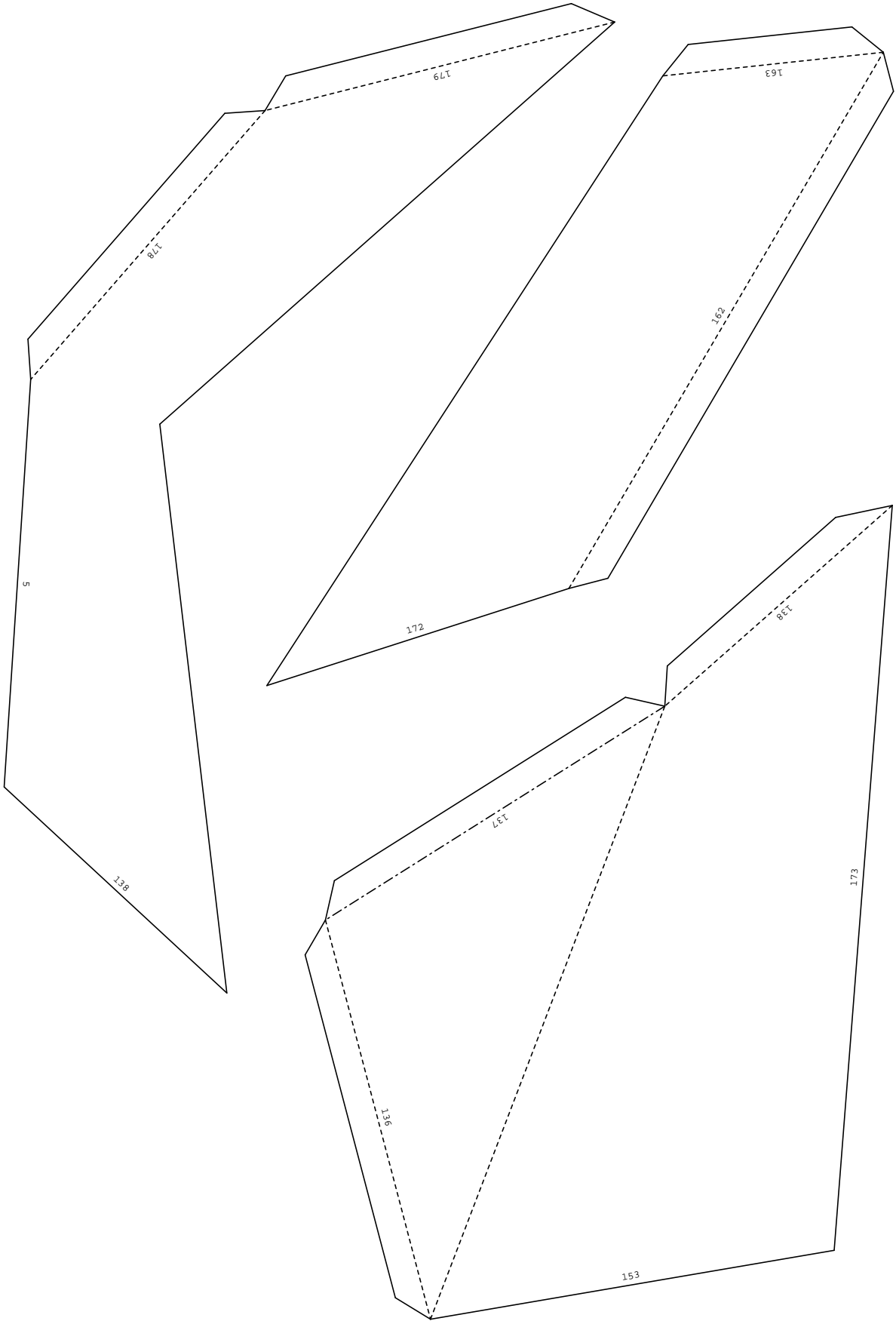




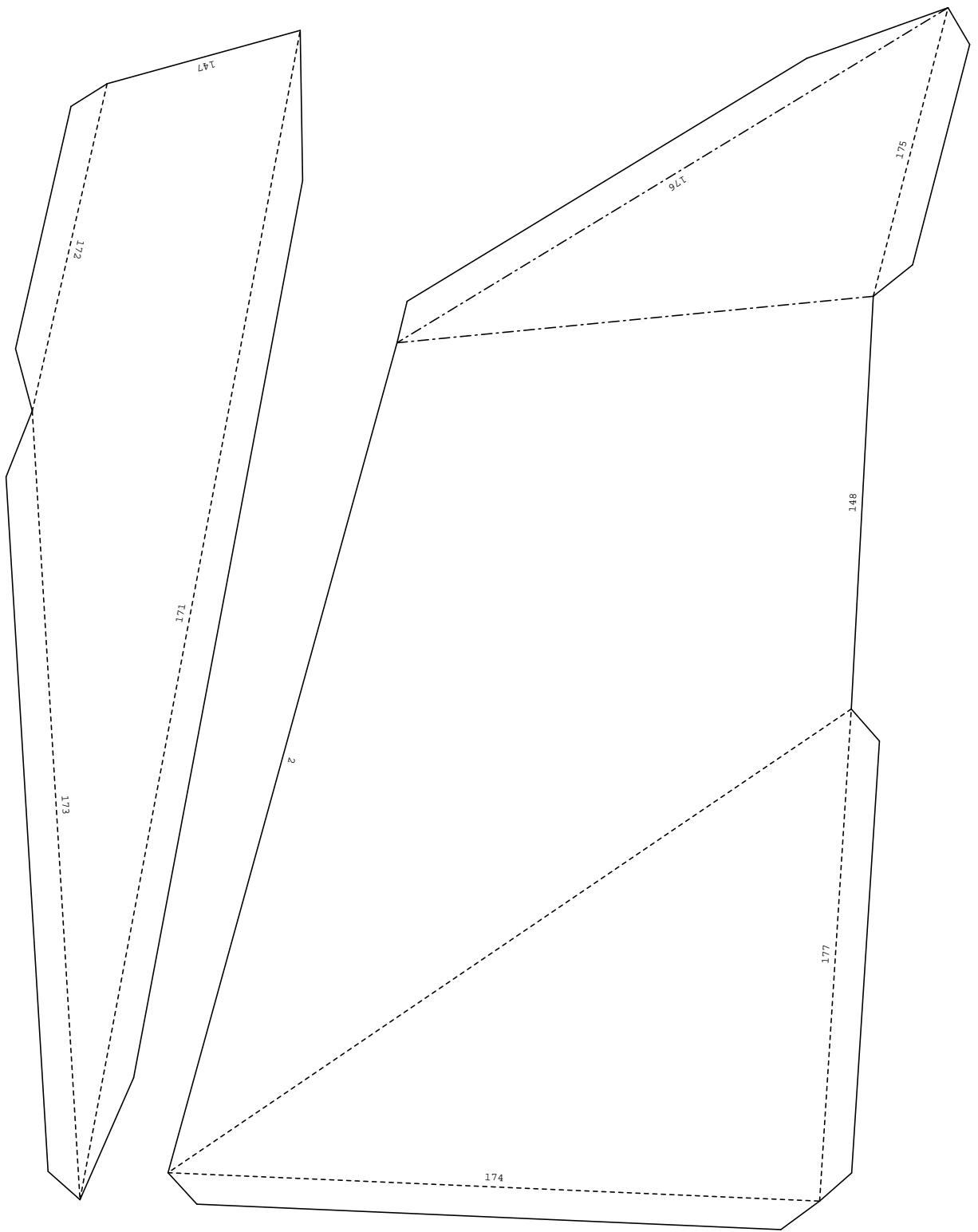


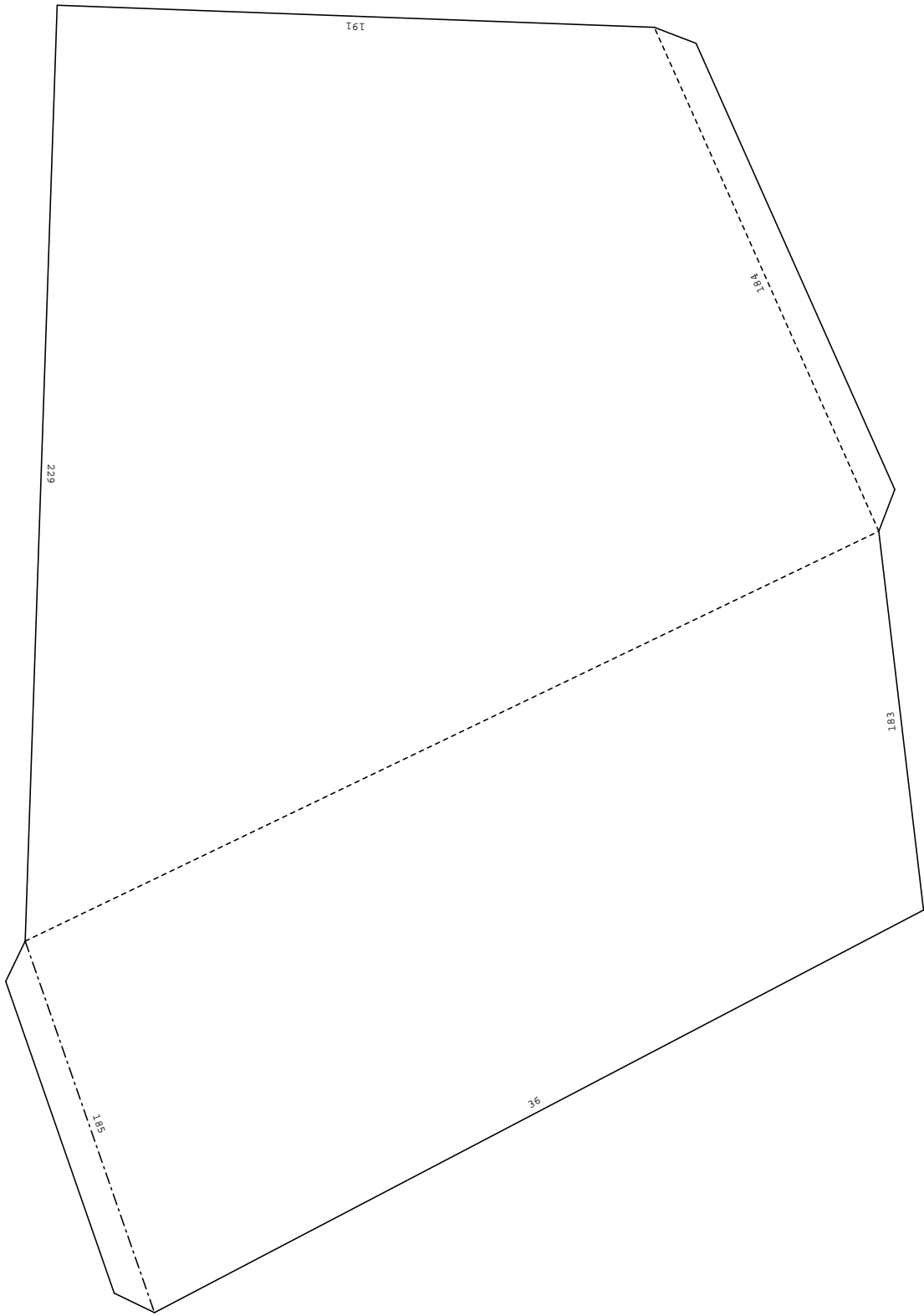


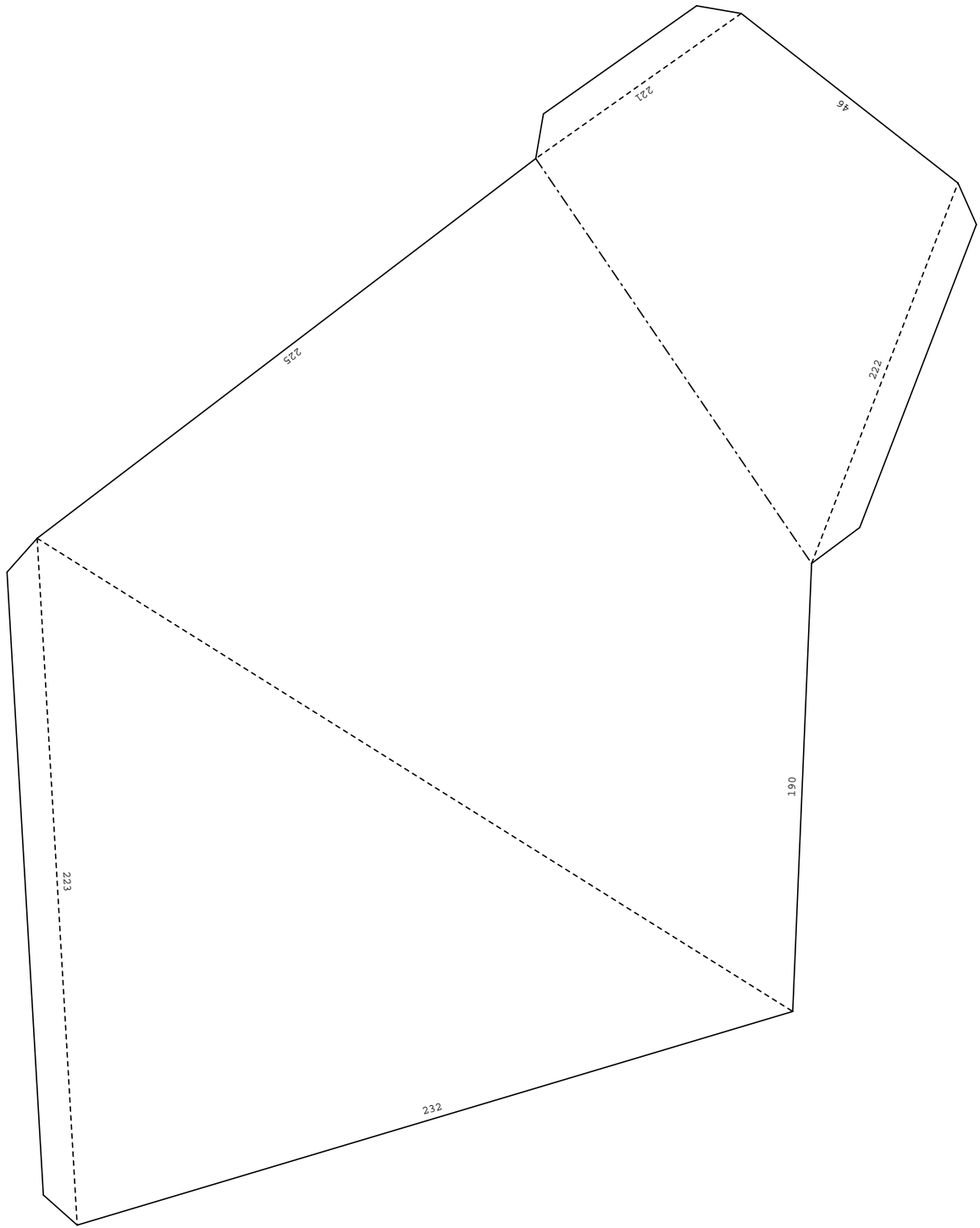


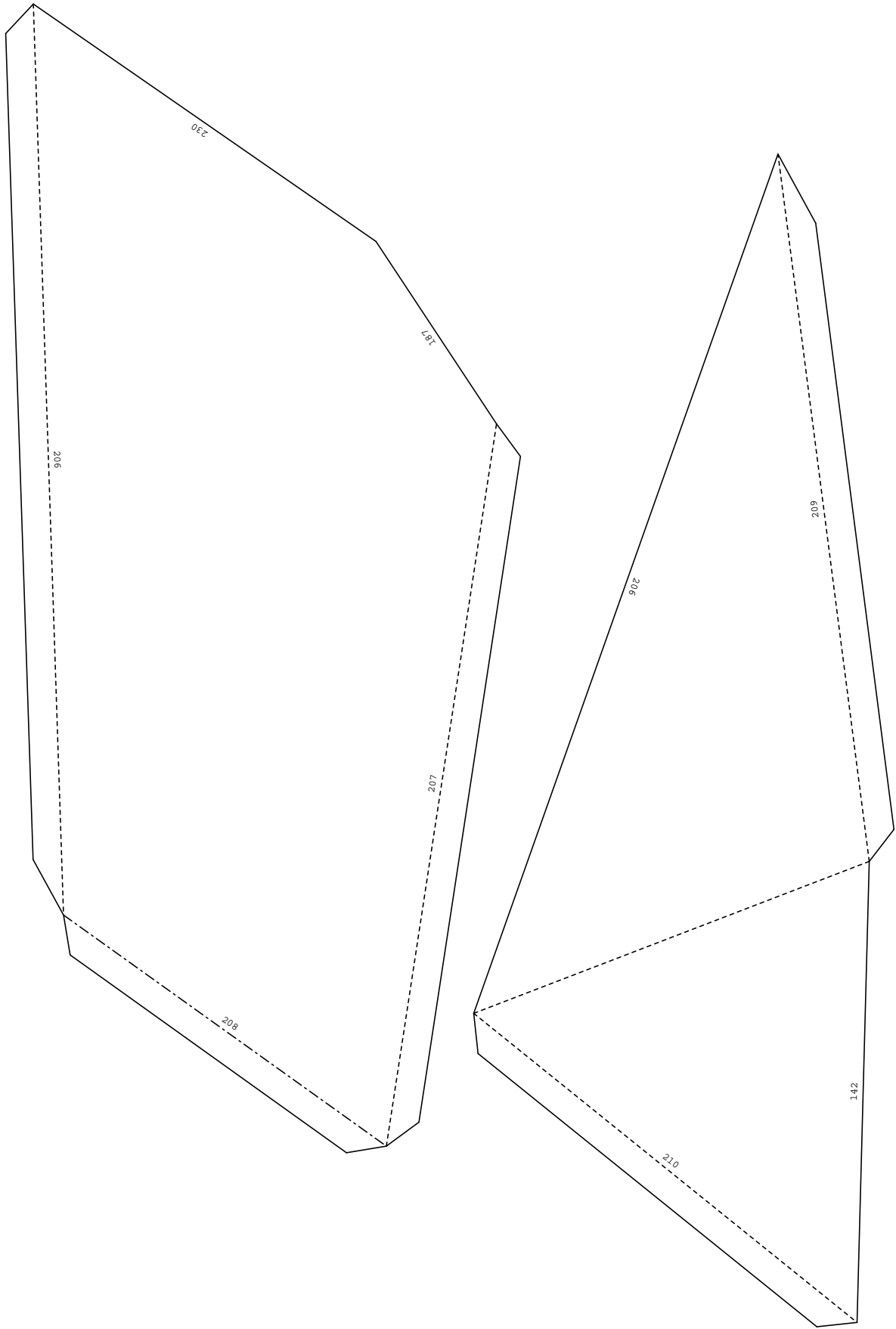


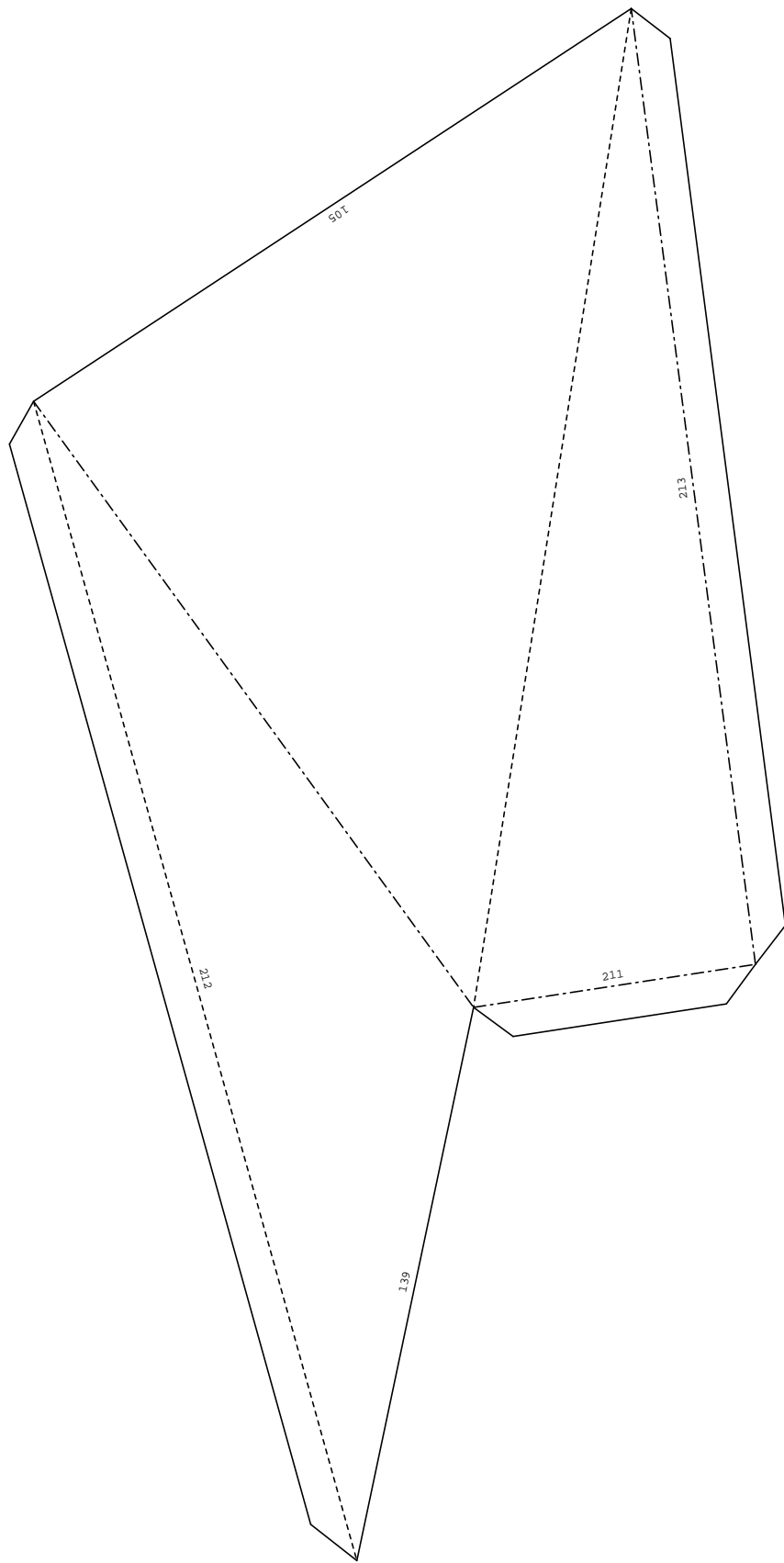


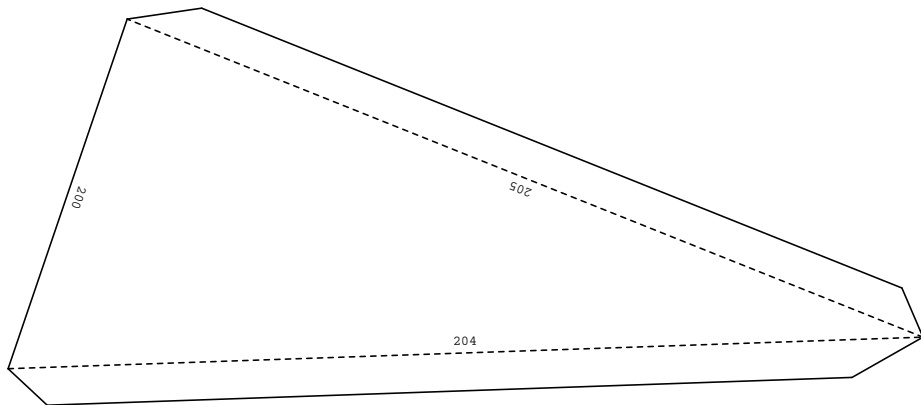
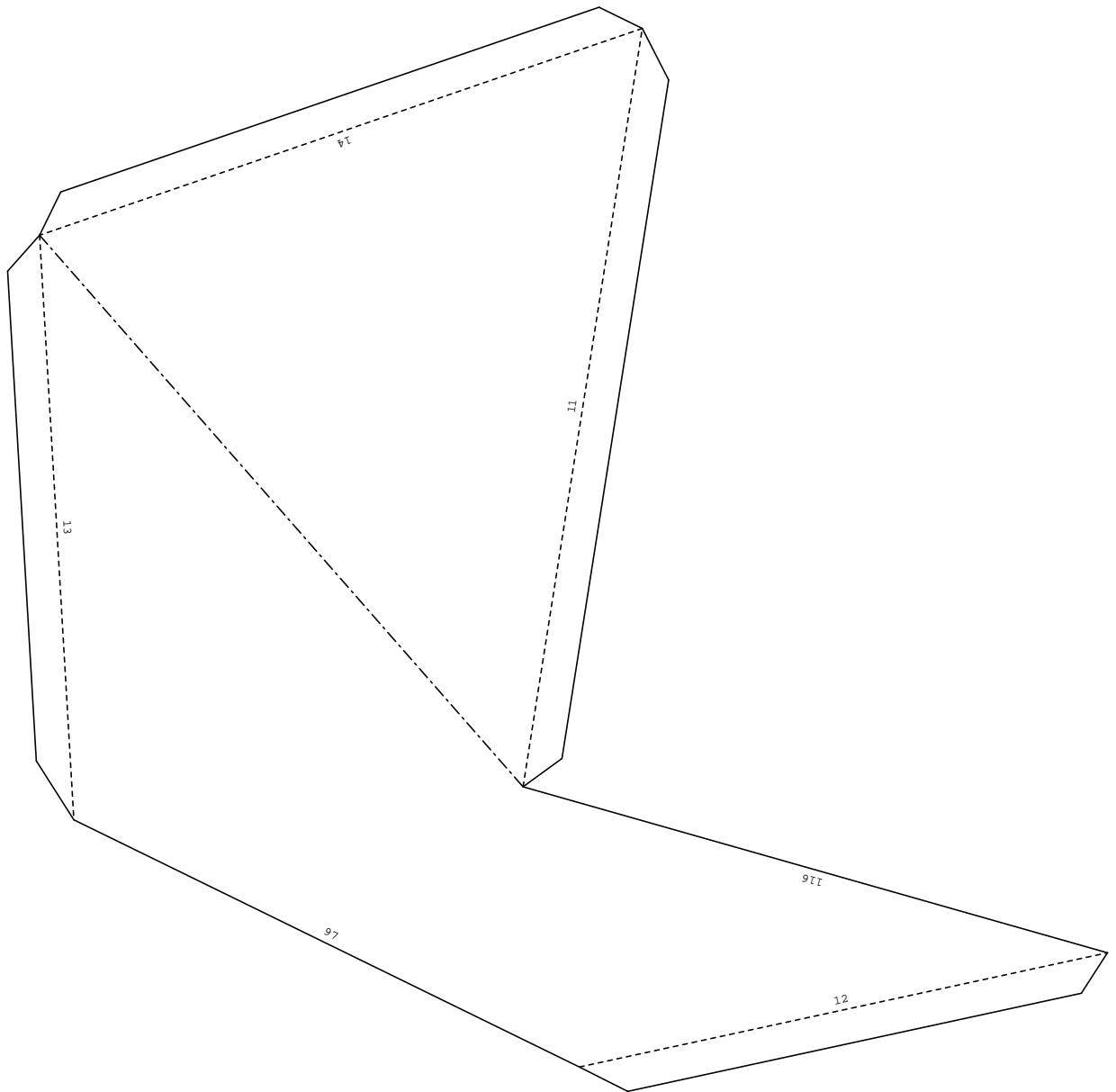


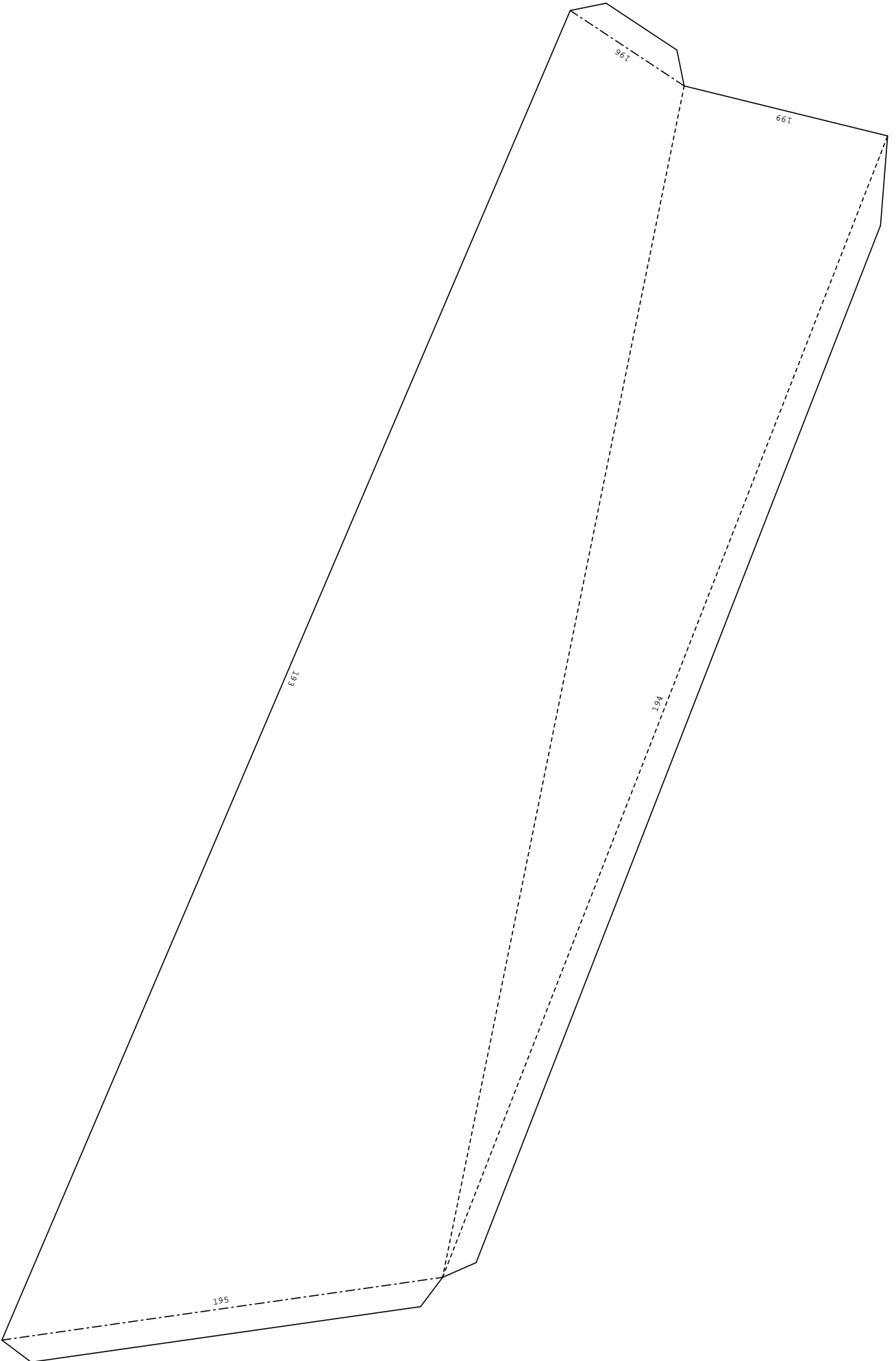












45/48 (row5 col9)

